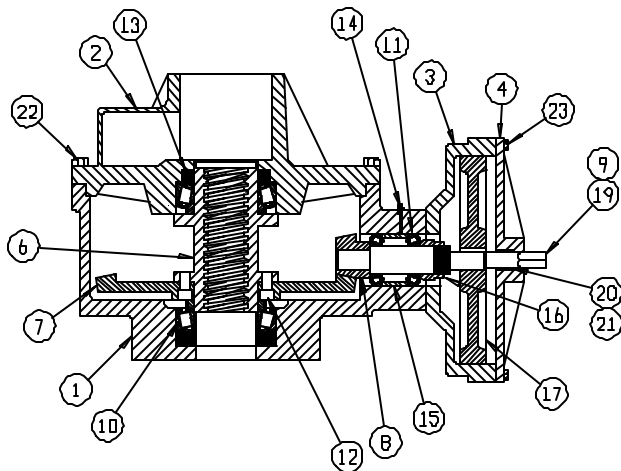


# TYPE 3ED-50:1 GEARED OPERATOR

## FEATURES:

- Includes 15" Long Handcrank
- Two-Speed Design Offers 50:1 and 6:1 Ratios
- Yields Maximum Lift Capacity with 50ft lbs. Input Torque



No.	Name	No.	Name
1	Lift Housing	13	Lift Seal
2	Cover	14	Lube Fitting
3	Outboard Housing	15	Bearing Spacer
4	Outboard Thrust Cap	16	Retaining Nut
		17	Reduction Gear
6	Lift Nut		
7	Bevel Gear	19	Input Shaft L.S.
8	Pinion Gear	20	Needle Bearing
9	Input Shaft H.S.	21	Shaft Seal
10	Thrust Bearing	22	Cover Screw
11	Shaft Bearing	23	Housing Screw
12	Lift Nut Bolt		

LIFT CAPACITIES				
LIFT	INPUT PULL (lbs.)	INPUT TORQUE (ft. lbs.)	STEM DIAMETER	
			3½	4
3ED-50:1	25	31.2	45000	40620
	40	50	72000	65000

