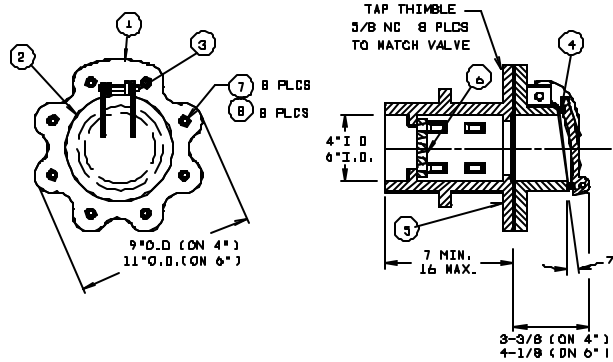


PRB-14

WALL TYPE HYDROSTATIC PRESSURE RELIEF VALVE

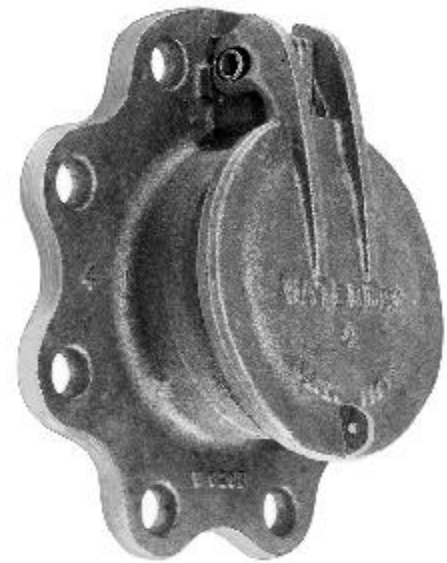
- **CAST BRONZE FRAME AND COVER**
- **125# FLANGE**

The PRB-14 Wall Type Hydrostatic Pressure Relief Valve mounts on the side wall of tanks and digesters. This all bronze valve is provided with 4" or 6" flanged end for connection to pipe insert in wall. Flange bolts and gaskets are available. There is a soft neoprene seat built into the cover of the valve which affords a cushion effect against any grit that might lodge on it, and is impervious to the caustic effect of the sewage.

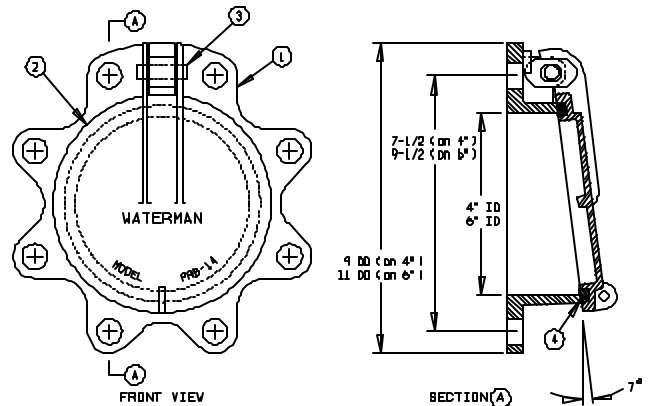


Valve on optional thimble with strainer

PARTS	
No.	Name
1	Frame - Cast bronze per ASTM 584 alloy 844.
2	Cover - Cast bronze ASTM B-584 alloy 844.
3	Hinge Pin - Stainless Steel ASTM A-276 type 304.
4	Seat - Neoprene ASTM D-2000
5	Thimble - Cast Iron ASTM A 126 Class B
6	Strainer - Cast Iron ASTM A 126 Class B
7	All Thread Stud - Stainless Steel
8	Nut - Stainless Steel



Wall Type Model PRB-14



TYPICAL SPECIFICATIONS

WATERMAN MODEL PRB-14 WALL TYPE HYDROSTATIC PRESSURE RELIEF VALVE

Hydrostatic pressure relief valves shall be designed to effectively relieve excess ground water from around submerged structures, helping to prevent flotation of the structure.

The valve frame shall be of solid cast bronze with a machined seating surface. The frame shall be of the flanged type with holes for mounting to an ANSI 125# standard flange or on the flat surface of a wall (optionally, the valve shall mount to a cost iron wall sleeve which incorporates a cast iron strainer and integral water stop). The valve cover (flap) shall also be of solid cast bronze incorporating a neoprene rubber seating surface mounted in a dovetail type groove. Hinge arms shall be cast integrally with the cover and be attached to the frame utilizing a stainless steel spring pin.

Wall type hydrostatic pressure relief valves shall be Waterman Industries, Inc. Model PRB-14 or approved equal.