

C-9 SLIDE GATE

- 8" Through 30" Diameters Available
- 10 Foot Seating Head
- 0 Feet Unseating Head
- Threaded Stem and Lift with Handwheel Standard
- Extended Frames or Stem Extensions Optional
- Fits Directly into Concrete, Corrugated Metal, Plastic or HDPE Pipe

The Waterman C-9 Slide Gate is designed for use where an economical light duty gate is needed for seating heads up to 10 feet. It is ideal for use where an old-fashioned jack-lift type gate is specified. The C-9 utilizes our threaded bronze lift nut with a 10" diameter handwheel as standard equipment coupled to a threaded mild steel stem.

- Ask for Model C-9 for Concrete or Corrugated Steel, C-9-4 for PVC I.D. Mounting, C-9-CIP (IPS or PIP) for PVC O.D. Mounting and C-9-6 for HDPE Pipe.

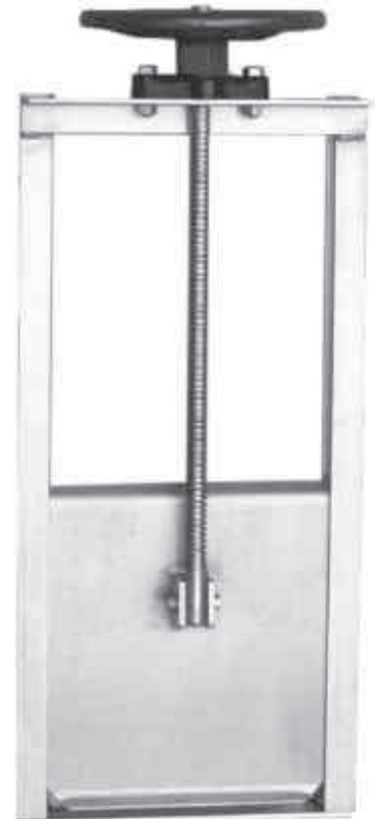


AC-9 SLIDE GATE

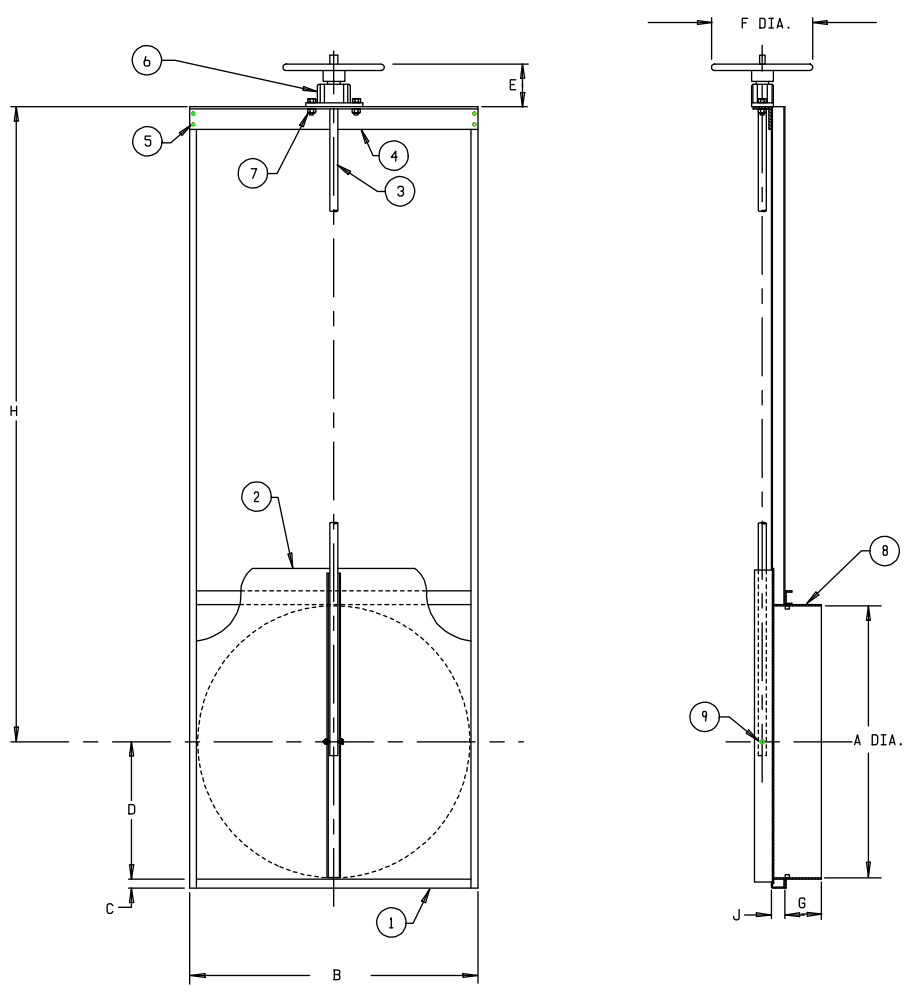
- Premium Grade Aluminum
- 8" Through 30" Diameters Available
- 10 Foot Seating Head
- 0 Feet Unseating Head
- Stainless Steel Threaded Stem with Lift and Handwheel Standard
- Extended Frames or Stem Extensions Optional
- Fits Directly into Concrete, Corrugated Metal, Plastic or HDPE Pipe

The Waterman AC-9 Slide Gate is designed for use where an economical light duty corrosion resistant gate is needed for seating heads up to 10 feet. It is ideal for use where an old-fashioned jack-lift type gate is specified. The AC-9 utilizes our threaded bronze lift nut with a 10" diameter handwheel as standard equipment coupled to a threaded stainless steel stem.

- Ask for Model AC-9 for Concrete or Corrugated Steel, AC-9-4 for PVC I.D. Mounting, AC-9-CIP (IPS or PIP) for PVC O.D. Mounting and AC-9-6 for HDPE Pipe.



DIMENSIONS FOR C-9 AND AC-9



PARTS LIST	
No.	Name
1	FRAME
2	COVER
3	STEM
4	HEADRAIL
5	HEADRAIL HDWR.
6	LIFT
7	LIFT HDWR.
8	SPIGOT
9	STEM BOLT

SIZE	C-9 and AC-9									C-9 and AC-9-4*		C-9-6 and AC-9-6**	
	A***	B***	C	D	E	F	G	H	J	A	G	A	G
8	7 ³ / ₄	9	1	4 ⁷ / ₈	3 ¹ / ₂	10	4	15 ¹ / ₂	1 ¹ / ₂	7 ⁷ / ₈	4	7 ¹⁵ / ₁₆	4
10	9 ³ / ₄	11	1	5 ⁷ / ₈	3 ¹ / ₂	10	4	18 ¹ / ₂	1 ¹ / ₂	9 ⁷ / ₈	4	9 ⁷ / ₈	4
12	11 ³ / ₄	13	1	6 ⁷ / ₈	3 ¹ / ₂	10	4	21 ¹ / ₂	1 ¹ / ₂	11 ⁷ / ₈	4	12 ¹ / ₈	4
14	13 ³ / ₄	15	1	7 ⁷ / ₈	3 ¹ / ₂	10	4	23 ¹ / ₂	1 ¹ / ₂	13 ⁷ / ₈	4	-	-
15	14 ³ / ₄	16	1	8 ³ / ₈	3 ¹ / ₂	10	4	26	1 ¹ / ₂	14 ⁷ / ₈	4	11 ¹⁵ / ₁₆	4
16	15 ³ / ₄	17	1	8 ⁷ / ₈	3 ¹ / ₂	10	4	27 ¹ / ₂	1 ¹ / ₂	15 ⁷ / ₈	4	-	-
18	17 ³ / ₄	19	1	9 ⁷ / ₈	3 ¹ / ₂	10	4	30 ¹ / ₂	1 ¹ / ₂	17 ⁷ / ₈	4	18 ¹ / ₈	4
20	19 ³ / ₄	21	1	10 ⁷ / ₈	3 ¹ / ₂	10	4	33 ¹ / ₂	1 ¹ / ₂	19 ⁷ / ₈	4	-	-
21	20 ³ / ₄	22	1	11 ³ / ₈	3 ¹ / ₂	10	4	34 ¹ / ₄	1 ¹ / ₂	20 ⁷ / ₈	4	-	-
24	23 ³ / ₄	25	1	12 ⁷ / ₈	3 ¹ / ₂	10	4	38	1 ¹ / ₂	23 ⁷ / ₈	4	24 ³ / ₈	4
30	29 ³ / ₄	31	1	15 ⁷ / ₈	3 ¹ / ₂	10	4	43	1 ¹ / ₂	29 ⁷ / ₈	4	30 ³ / ₈	4

GATE DIMENSIONS IN INCHES

* For PIP Pipe
 ** To fit HDPE pipe
 *** For CMP pipe - dimension differs for each pipe type. Custom spigots are available.