

RED TOP

H-30 LINE GATE

- Iron seats (bronze seats optional)
- Each gate is hydrostatically tested
- 60 feet maximum seating (face) pressure
- 10 feet maximum unseating (back) pressure
- Non-rising stainless steel stems, double leads
- Bronze packing gland nut and lift nut
- Handwheel standard, 2" square operating nut optional
- NEW! Grease fitting on packing gland for continued ease of actuation

USES:

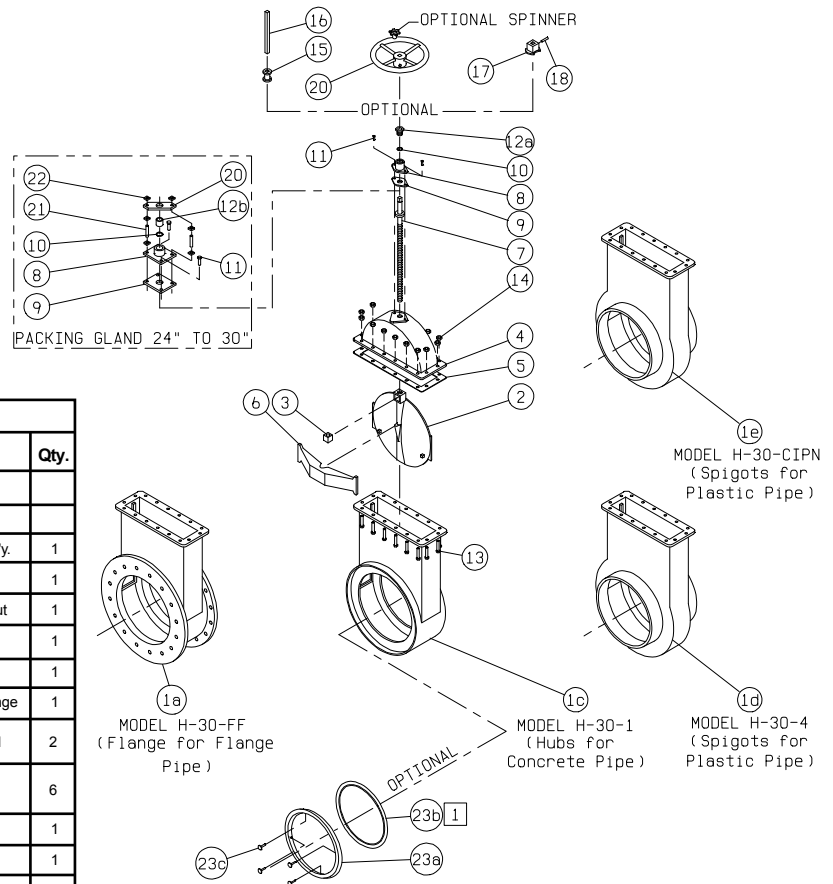
The Red Top Line Gate is designed for installation in pipe lines to eliminate the use of capped stands or standpipes. It is of heavy construction engineered to withstand constant usage over long periods of time.

FEATURES:

The gate is constructed of cast iron with a non-rising stainless steel screw which has also proven popular in the Waterman Pressure Gate. A screw with the standard Waterman double lead "Acme" type threads is offered. A handwheel is furnished.

The packing gland is made of cast iron with a bronze packing nut which eliminates "freezing" due to rust. A single wrench is required to adjust it.

H-30-1 Hub End



PARTS LIST					
No.	Name	Qty.	No.	Name	Qty.
1	Body	1	13	Bonnet Bolt	
2	Cover	1	14	Hex Nut	
3	Screw Nut	1	15	Stem Coupling Ass'y.	1
4	Bonnet	1	16	Extension Stub	1
5	Bonnet Gasket	1	17	2" Sq. Operating Nut	1
6	Arch	1	18	Pin	1
7	Screw w/Collar	1	19	Handwheel	1
8	Packing Gland Body	1	20	Pack. Retainer Flange	1
9	Packing Gland Gasket	1	21	Packing Gland Stud	2
10	Packing Gland Packing	2	22	Packing Gland Nut	6
11	Packing Gland Bolt	2	23a	Bronze Seat	1
12a	Packing Gland Nut	1	23b	O-Ring	1
12b	Packing Gland Sleeve	1	23c	Seat Screws	4



H-30 LINE GATES

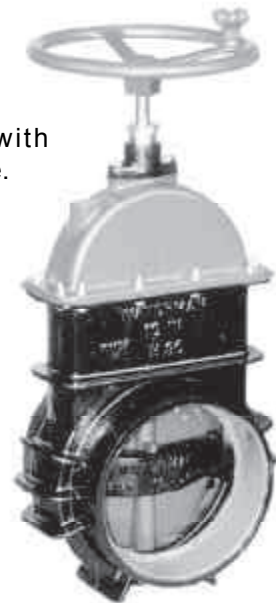
H-30-1 Line Gate (Hub End)
for use with concrete pipe.



H-30-4 Line Gate for use
with PIP size plastic pipe.
Use two part epoxy to bond
pipe to spigot.



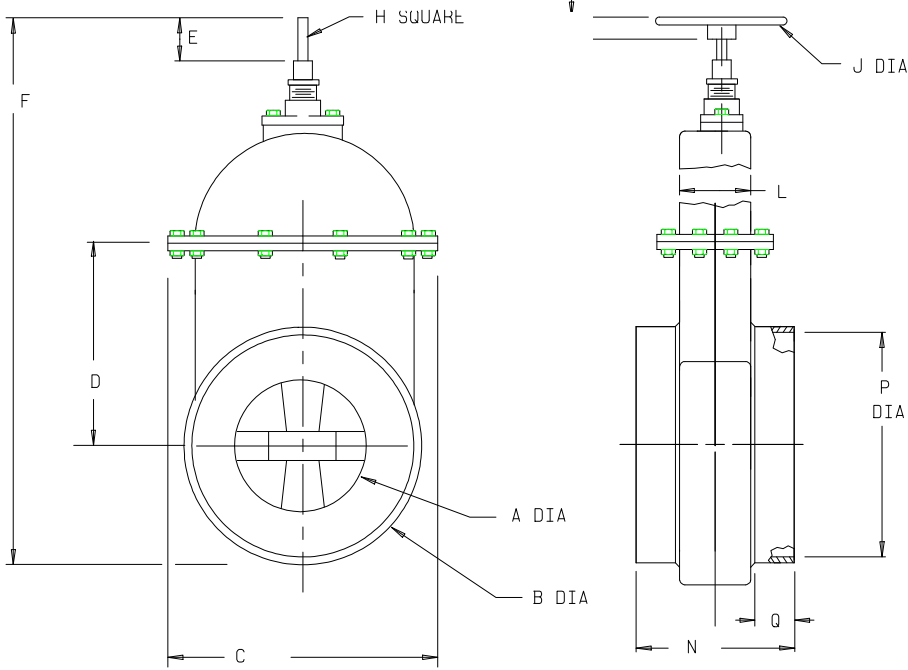
H-30-CIPN Line Gate for use with
either PIP or IPS size plastic pipe.
Use regular PVC cement to bond
pipe to plastic spigots.
(Specify PIP or IPS)



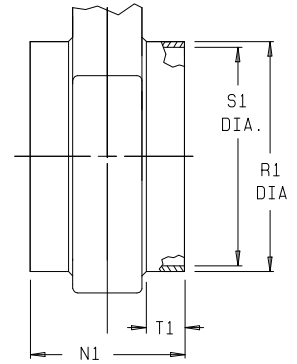
H-30-FF Line Gate with flanges drilled
to match 25# standard flange or 125#
standard flange (optional)



H-30 LINE GATE DIMENSIONS



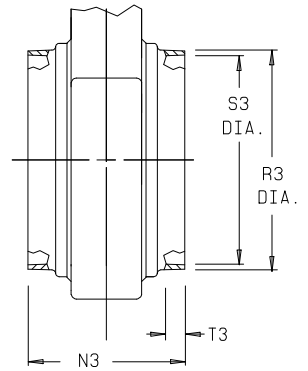
Type 1



Type 4 Frame

GATE DIMENSIONS IN INCHES

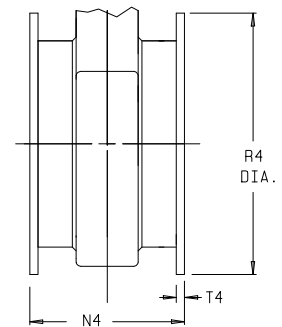
VALVE SIZE	A	B	C	D	E	F	H	J	K	L	N	P	Q
6	6	8½	11⅛	8⅝	1⅞	25	⅝	12	2¾	6½			
8	7⅞	11½	12⅞	9⅞	1⅞	27⅞	⅝	12	2¾	6½	6⅝	11⅞	1⅞
10	10	14⅞	14⅜	12	1⅞	31½	⅝	12	2¾	6	6¾	13 ⅞	1⅞
12	12	17⅞	17⅜	13½	1⅞	36¼	⅝	12	2¾	7	7½	16⅞	1⅞
14	13½	18⅞	19½	15¼	1⅞	39¾	⅝	12	2¾	8⅞	9½	18⅞	1⅞
14 x 15	13½	20 ⅞	19½	15¼	1⅞	40½	⅝	12	2¾	8⅞	13½	19.00 18.75	3⅞
16	16	21¾	21⅞	18⅞	1⅞	45	¾	14	3⅞	8⅞	9⅞	21⅞	1⅞
16 x 18	16	24	21⅞	18⅞	1⅞	46⅞	¾	14	3⅞	8⅞	13½	23.14 21.88	3.50 3.64
18	18	23⅞	23⅞	20⅞	1⅞	48⅞	¾	14	3⅞	8½	9⅞	23	1⅞
20	20	27⅞	26¼	21	1⅞	53¾	⅞	14	3⅞	10½	11½	27¼	2
20 x 24	20	30⅞	26¼	21	1⅞	55¼	⅞	14	3⅞	10½	15½	29.89	3.97
24	24	32⅞	32¼	27¼	2⅞	71¼	1¼	18	3⅞	12	13	31¼	2⅞
30	30	43	40⅞	34¾	4⅞	87⅞	1¼	24	2⅞	10¾	20¾	41⅞	4¾



Type CIPN Frame

GATE DIMENSIONS IN INCHES

VALVE SIZE	TYPE 4 FRAME I.D. PLASTIC PIPE				TYPE CIPN FRAME O.D. IPS & PIP PIPE					FLANGED FRAME		
	N1	R1	S1	T1	N3	R3	S3	T3	N4	R4	T4	
6	12¼	5⅞	5⅞	3⅞	11⅞	6.45	6.16	2.50	8	11	¾	
8	13	7⅞	7⅞	3½	12¼	8.64	8.18	3.00	8½	13½	¾	
10	13	9⅞	9¼	3½	11⅞	10.77	10.22	3.00	11¼	16	⅞	
12	14½	11⅞	11⅞	3½	14⅞	12.78	12.27	3.00	12	19	1	
14	15	13⅞	13⅞	3½					13	21	1⅞	
14 x 15	15	14⅞	14⅞	3½								
16	14⅞	15⅞	15⅞	3½					13	23½	1⅞	
16 x 18												
18	14⅞	17⅞	17⅞	4½					14	25	1⅞	
20	16½	19⅞	19½	4½					15¾	27½	1¼	
20 x 24												
24									15¾	32	1¼	
30									21¼	38¾	1¼	



Flanged Frame

1] Nominal dimensions for SRG (Shafter Rubber Gasket) and pipe.

2] Nominal dimensions for IPS plastic pipe.

3] Nominal dimensions for 50 and 100 ft. PIP plastic pipe.