

RED TOP, SUNSHINE, OR PASTURE

ORCHARD VALVES

USES

The Orchard Valve is an original Waterman design which has been improved and modified through years of production to provide a long-lasting, trouble-free unit.

Cover styles should be selected to best fit each need.

The original "Red Top" design features a concave, ribbed cover for maximum strength. The "Sunshine" design provides a smooth convex cover that will not trap debris or water. The "Pasture" valve utilizes a cover having a flush, self-cleaning, key operated stem. It is often used where livestock may be injured by a protruding "T" handle stem.

FEATURES

All frames and covers are high strength, close-grain grey iron. The stems are cast bronze with fully machined threads and seal ring. A cast-in-place bronze frame bushing, which will not become loose, provides bronze to bronze operating threads. A synthetic rubber cover packing ring and a synthetic stem washer provide a dependable, easy seal. A solid bronze nut secures the cover assembly.

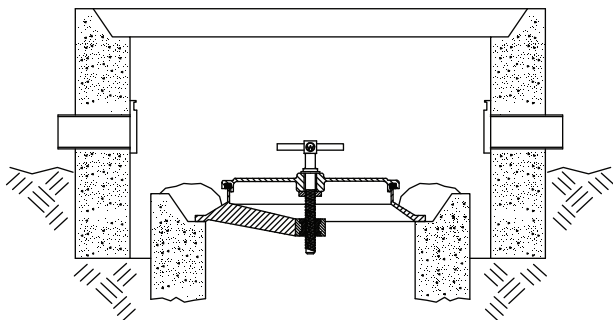


SUNSHINE Orchard Valve
with CONVEX Cover

RED TOP Orchard Valve
with CONCAVE Cover

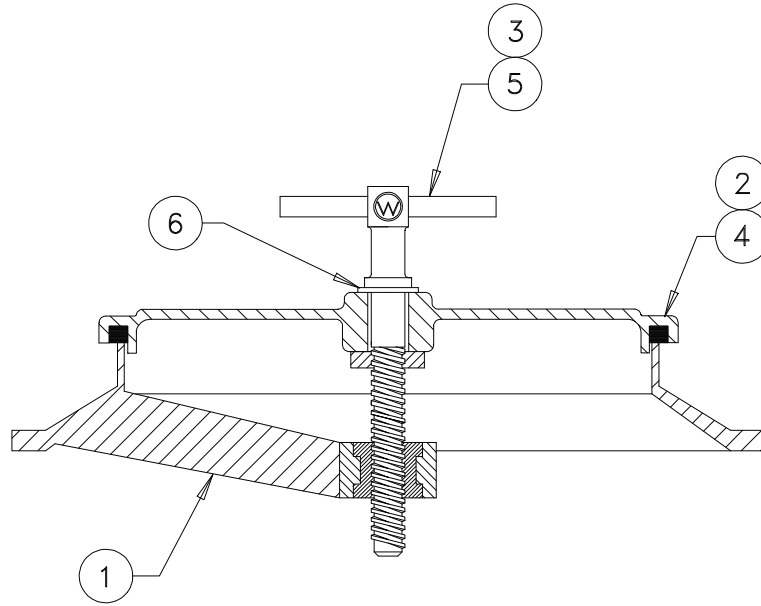


PASTURE Orchard Valve
with FLUSH stem
(key operated)



This drawing depicts a Waterman Orchard Valve installed in concrete pipe in a "down-setting," with distributing gates arranged for individual control of row irrigation.

ORCHARD VALVES



PARTS LIST		
No.	Name	Qty.
1	Frame	1
2	Cover	1
3	Screw	1
4	Packing	1
5	Nut	1
6	Washer	1

RED TOP ORCHARD VALVE PARTS GUIDE *			
RED TOP ORCHARD VALVE PARTS			
SIZE	COVER	SCREW	FRAME
#6-0 (3½" X 6")	W1013 ½"YAK	W506B ½" 5ST	W1354 #6-0
#8-0 (5" X 8")	W103 5"YAK	W598B ½" 5SLT	W103 #8-0
#10 (6½" X 10")	W1056 ½"YAK	W507B ⅝" 6ST	W106 #10-0
#12 (8" X 12")	W107 8"YAK	W507B ⅝" 6ST	W108 #12-0
#14 (10" X 14")	W122 10"YAK	W588B ¾" 10ST	W780 #14-0
#16 (12" X 16")	W124 12"YAK	W588B ¾" 10ST	W782 #16-0

* Numbers beginning with "W" (example: "W130", etc.) are casting numbers which can be located on each cast part. Numbers which do not begin with "W" are part designations also found on most castings (example: "16A").