

# AF-41 ALUMINUM DRAINAGE (FLAP) GATES

- LIGHTER WEIGHT REDUCES INSTALLATION COSTS
- SIZES 12" - 84" (CUSTOM SPIGOT SIZES AVAILABLE)
- SEATING HEADS TO 40 FEET.

A CORROSION-RESISTANT RUST-PROOF AUTOMATIC DRAINAGE GATE DESIGNED FOR USE WITH ALUMINUM CORRUGATED PIPE, OR FOR FLANGE MOUNTING OR USE WITH HDPE

PREVENTS ELECTROLYSIS ASSOCIATED WITH CAST IRON GATES TO ALUMINUM PIPE CONNECTIONS.

J-BULB NEOPRENE ADJUSTABLE SEATS PROVIDE EXCELLENT SEALING AGAINST RETURN FLOW.

FRAME, COVER, RETAINER RING, HINGE ARM, AND PIVOT LUG ARE OF ALUMINUM ALLOY 6061-T6. GATE HARDWARE IS STAINLESS STEEL.

- SPECIFY:
  - AF-41sb... for corrugated pipe
  - AF-41f... for wall mounting
  - AF-41ff... for flange mounting
  - AF-41-4... for plastic pipe
  - AF-41-6... for HDPE

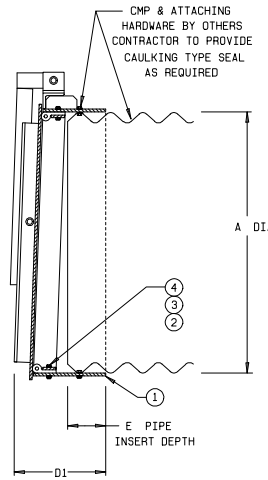
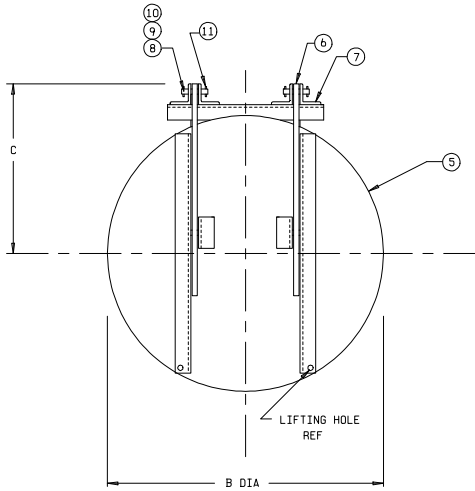


AF-41 FLATBACK

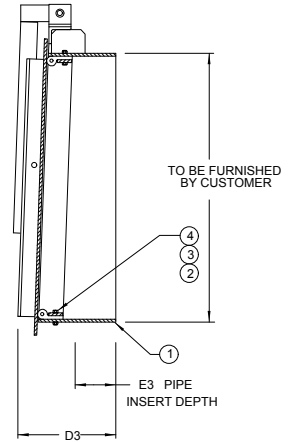


AF-41 SPIGOTBACK

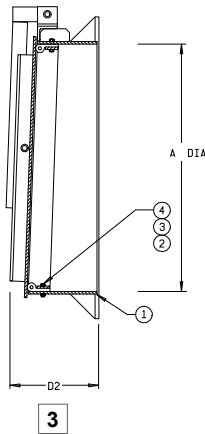
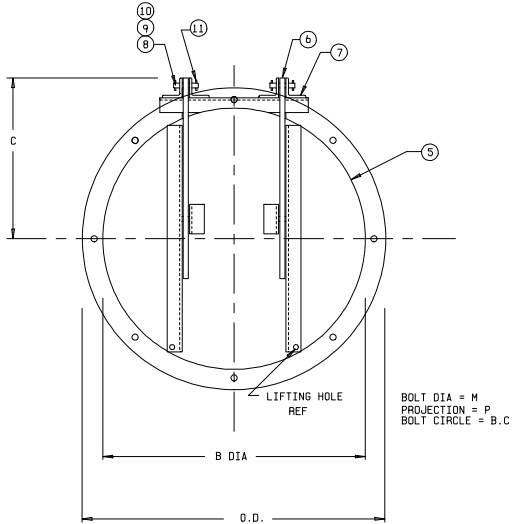
### AF-41 SPIGOTBACK



### AF-41 TYPE 6 SPIGOT FOR HDPE PIPE

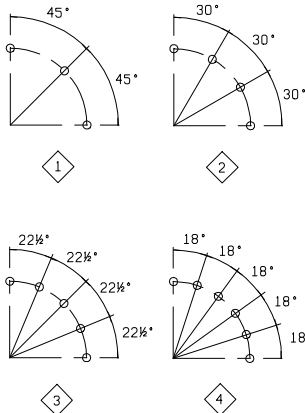


### AF-41 FLATBACK (FLANGEBACK SIMILAR BUT WITH ASA STANDARD FLANGE DIMENSIONS)



PARTS LIST	
No.	Name
1	Frame
2	Seat
3	Retainer Ring
4	Hex Hd. Bolt/Nut
5	Cover
6	Hinge Arm
7	Pivot Lug
8	Hex Hd. Bolt/Nut
9	Hinge Pin
10	Bushing
11	Washer
12	Spring Pin

1. Add grout pad thickness to anchor bolt projection.
2. Also available with flange and drilling to attach to a 125# standard pipe flange.
3. If grout pad mounting is used add grout thickness to dimension.



DIMENSIONS IN INCHES														
GATE SIZE	A	B	C	D1	D2	D3	E	E3	O.D.	B.C.	M	P	1	◇
12	13 3/8	13 1/2	10 1/4	8 3/4	8 7/8	11 1/2	4	7	17 1/2	15 3/4	1/2	1	1	
15	16 1/8	17	12 1/4	8 3/4	8 7/8	11 1/2	4	7	20 1/2	18 3/4	1/2	1	2	
18	19 1/8	20	14 1/4	8 3/4	8 7/8	11 1/2	4	7	23 1/2	21 3/4	1/2	1	2	
24	25 1/8	26 1/2	16 3/4	8 3/4	8 7/8	11 1/2	4	7	30 5/8	28 1/4	1/2	1 1/2	2	
30	31 1/8	32 1/2	19 3/4	10 1/2	10 5/8	12	4 1/2	7	36 5/8	34 1/4	1/2	1 1/2	3	
36	37 1/8	38 1/2	24	10 1/4	10 3/8	12	4 1/2	7 1/2	42 5/8	40 1/4	1/2	1 1/2	3	
42	43 1/8	46	28	13	13 1/8	-	5 1/2	-	48 5/8	46 1/4	1/2	1 1/2	3	
48	49 1/8	52	31	13 3/8	13 3/4	-	5 1/2	-	54 5/8	52 1/4	1/2	1 1/2	4	
54	55 1/8	58	35	13 1/4	13 3/8	-	6 1/2	-	60 5/8	58 1/4	5/8	2	4	
60	61 1/8	64	38	15 1/4	15 3/8	-	6 1/2	-	66 5/8	64 1/4	5/8	2	4	
72	73 1/8	76	44 1/2	17 1/8	17 1/4	-	7 1/4	-	78 5/8	76 1/4	5/8	2	4	
84									DIMENSIONS ON APPLICATION					