

R SERIES FABRICATED SLIDE GATES

- Mild Steel (ASTM A-36) Model SR
- Stainless Steel (Grades 304, 316 and 316L) Model SSR
- Aluminum Model AR
- Features Standardized Design Customized to most Applications

CHOOSE FROM:

- Flatback Models for Flush Mounting to a Wall Face
- Spigotback Models for use with Special Seals
- Embedded Models for use in Channel Walls or where Flush Mounting is a problem
- Pressure Ratings for 5, 10, 20 and 25 Feet of Head, Seating and Unseating
- Self-Contained and Non-Self-Contained Configurations
- Rising or Non-Rising Stems
- Standard or Flushbottom Seating
- Special Weir Models Available
- Notched Slides are Available for Weir Applications

Waterman R Series Slide Gates are custom fabricated following a standardized design to fit the exact requirements of most applications. The R Series Gates are manufactured from structural steel shapes and plates in a choice of materials. Gates have a minimum member thickness of 10 ga and the plates are reinforced or thickness is increased to meet the desired head conditions. Structural steel angles and flats are welded into a rigid guide rail frame to allow easy removal of the slide should repair be necessary.

The R Series Slide Gates utilize the standard range of Waterman stems and lifts. Stem material can be matched to the gate. Lifts available include both handwheel and geared type. Electric, hydraulic or pneumatic operators are an available option. For unseating head conditions, specially designed seals and pressure bars are available. Another popular option is the addition of UHMW (ultra high molecular weight polyethylene) bearing strips on the frame which reduce friction in operation and allow for easier opening and closing or reduction in the size of the lifting mechanism required.

Finishes include Waterman standard paint, special paint coatings and total galvanizing per ASTM A-123.

Custom sizes are available, contact your Waterman dealer or nearest Waterman Sales office for your special requirements.



Model SR-5fy
5 foot seating head,
flatback, self-contained, steel



Model SR-10f
10 foot seating head,
flatback, steel

R SERIES FABRICATED SLIDE GATES

NON-WEDGING

- Flatback or Spigot back Models - 5, 10, 15, 20, and 25 Foot Seating Heads
- Embedded Models - 5, 10, 15, 20, and 25 Foot Seating and Unseating Heads
- Conventional, Self-Contained
- Rising Stem or Non-Rising Stem
- Standard or Flush Bottom Seating

Stems with modified acme threads are normally used on the rising stem type and are made from steel or stainless steel bar. Standard Waterman gate lifts are used on the self-contained gates, and feature a bronze lift nut and cast iron thrust collar and handwheel. Ball bearing lifts and enclosed gear lifts are used on the larger sizes. A built in locking device similar to those employed on our popular C-10 Canal Gate is standard on all plain handwheel lifts.

Drawings available show many common sizes, but almost any size can be furnished with a variety of design and material modifications. Contact Waterman for your special requirements.

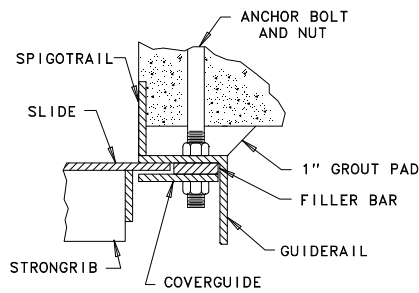
Self-contained gates are normally used for heads of 5 feet or less.

Non-self-contained gates (unconventional) are normally used for higher heads, with stem and lifts selected from the standard units shown in other catalog literature.

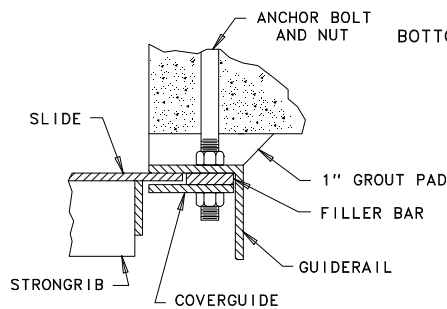
Anchor bolts are NOT included and should be ordered separately.

See Waterman Gate Catalog for more information on our complete line of slide and sluice gates.

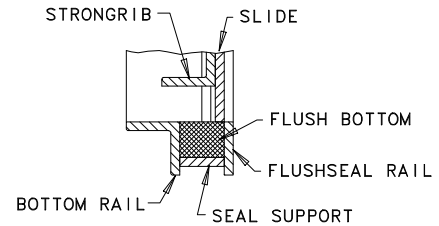
INSTALLATION OPTIONS



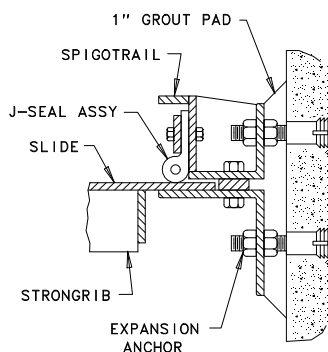
SPIGOT BACK SEAT TOP VIEW



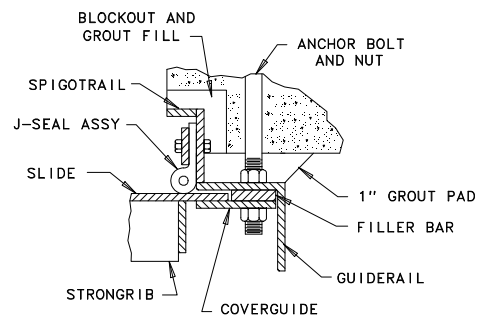
FLAT BACK SEAT TOP VIEW



FLUSH BOTTOM DETAIL



CHANNEL MOUNTED FRAME WITH J-BULB SEAL



SPIGOTBACK WITH J-BULB SEAL