

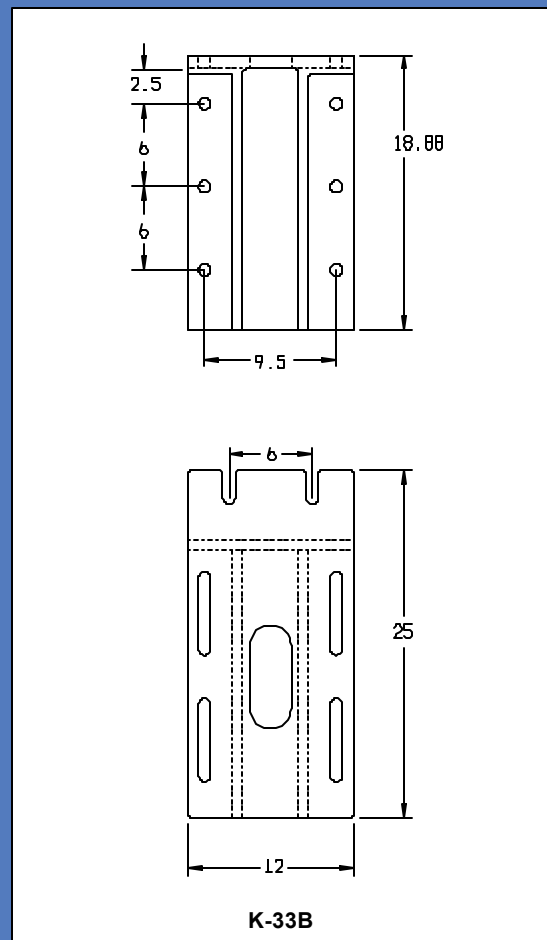
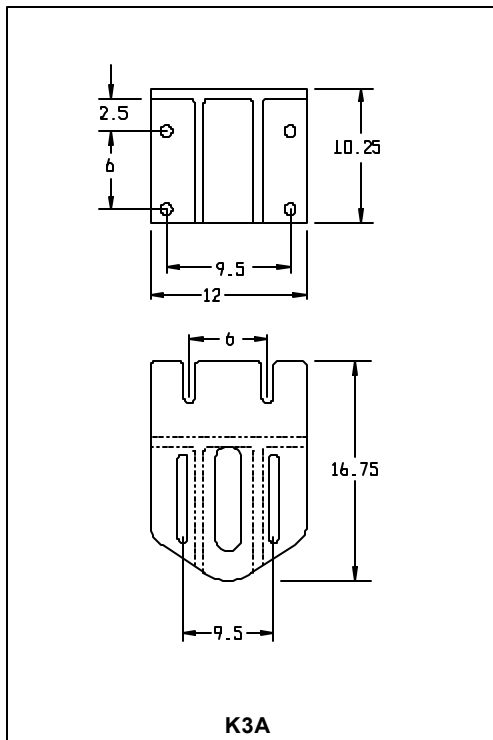
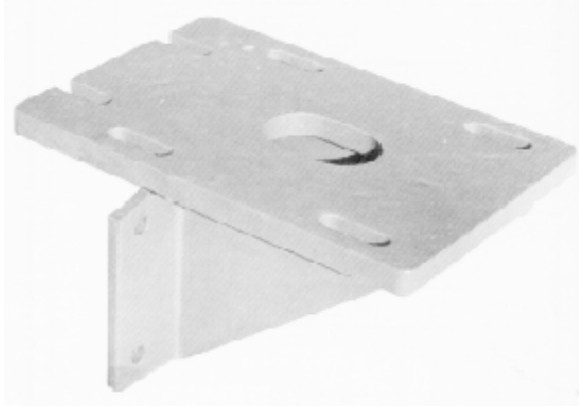
# WATERMAN TOP WALL MOUNTING BRACKETS

## FEATURES:

- Heavy Cast Iron or Fabricated Mild or Stainless Steel
- Models for Most Actuator Applications

## TYPICAL SPECIFICATION:

Top wall mounting brackets shall be of heavy cast iron or fabricated steel and shall be of sufficient size to properly support the lift in its position beyond the wall face. The bracket shall be of sufficient strength to adequately transmit to the structure the lifting forces generated by the lift mechanism without sustaining damage. It shall have slotted holes for mounting to the wall with anchor bolts and shall provide sufficient adjustment to properly orient the lift and stem to the gate.



# WATERMAN TOP WALL MOUNTING BRACKET DIMENSIONS

