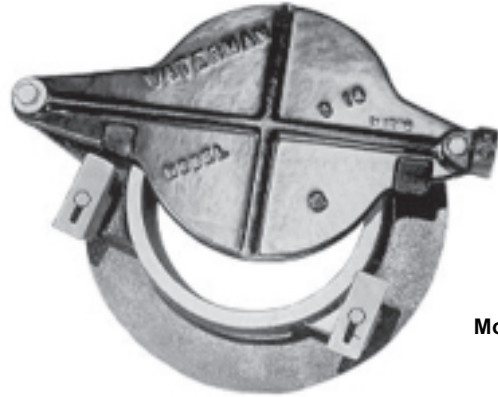


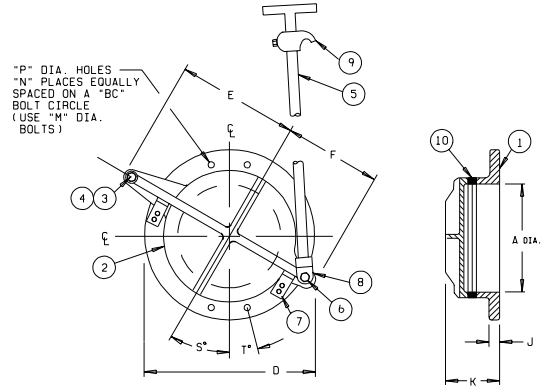
C-16 SHEAR GATE

- Double Wedge Type
- Bronze Trim

Waterman C-16 Shear Gates are designed for filling or emptying tanks in both water and sewage plants, for low pressure drainage lines and other similar operations. All sizes are bronze wedged and bronze seated. The wedges are removable for easy replacement. Three feet of lifting handle is furnished as standard. These gates are designed for low seating pressure applications (**not suitable for unseating heads**).



Model C-16



DIMENSIONS IN INCHES											
A	BC	D	E	F	J	K	M	N	P	S°	T°
4	7 ¹ / ₂	9 ¹ / ₈	6 ³ / ₈	6 ³ / ₈	5 ⁵ / ₈	5	5 ⁵ / ₈	8	3 ³ / ₄	45	22 ¹ / ₂
6	9 ¹ / ₂	11	7 ³ / ₈	7 ³ / ₈	5 ⁵ / ₈	5	3 ³ / ₄	8	7 ⁷ / ₈	45	22 ¹ / ₂
8	11 ³ / ₄	13 ¹ / ₂	9 ³ / ₈	7 ³ / ₈	5 ⁵ / ₈	5	3 ³ / ₄	8	7 ⁷ / ₈	45	22 ¹ / ₂
10	14 ¹ / ₄	16	11 ¹ / ₂	9 ³ / ₈	11 ¹ / ₁₆	5	7 ⁷ / ₈	12	1	30	15
12	17	19	13 ³ / ₄	10 ⁵ / ₈	11 ¹ / ₁₆	5	7 ⁷ / ₈	12	1	30	15
14	18 ³ / ₄	21	14 ³ / ₄	11 ¹ / ₂	3 ³ / ₄	5	1	12	1 ¹ / ₈	30	15
16	21 ¹ / ₄	23 ¹ / ₂	15 ⁵ / ₈	12 ¹ / ₈	3 ³ / ₄	5	1	16	1 ¹ / ₈	22 ¹ / ₂	11 ¹ / ₄
18	22 ³ / ₄	25	16 ⁵ / ₈	13 ³ / ₄	7 ⁷ / ₈	5	1 ¹ / ₈	16	1 ¹ / ₄	22 ¹ / ₂	11 ¹ / ₄
20	25	27	17 ³ / ₄	14 ³ / ₄	7 ⁷ / ₈	5 ³ / ₈	1 ¹ / ₈	20	1 ¹ / ₄	18	9
24	29 ¹ / ₂	32	19 ³ / ₄	16 ⁵ / ₈	1	5 ³ / ₈	1 ¹ / ₄	20	1 ³ / ₈	18	9
30	36	38 ³ / ₄	24	20 ¹ / ₈	1 ¹ / ₈	7	1 ¹ / ₄	28	1 ³ / ₈	12.85	6.43
36	42 ³ / ₄	46	28 ¹ / ₂	24	1 ¹ / ₄	8	1 ¹ / ₂	32	1 ⁵ / ₈	11 ¹ / ₄	5 ⁵ / ₈

NOTE: These dimensions are for preliminary design purposes only. Do not use for installation unless part of a certified and approved submittal.

(A) 125 lb. drilling standard. "P" Dia. holes, "N" places equally spaced, as shown on "BC" Dia. bolt circles uses "M" Dia. bolts.

PARTS	
No.	Name
1	Frame - Cast iron ASTM A-126 Class B.
2	Cover - Cast iron ASTM A-126 Class B*.
3	Hinge Bolt - Bronze ASTM B-98.
4	Bronze Bushing - (not shown) Commercial bronze.
5	Lift Rod - Std. pipe L 3/8 Ø schedule 40.
6	Lug Bolt - Bronze ASTM B-98.
7	Bronze Wedges and Bolts -(2) Req'd. ASTM B-98.
8	Lift Lug - Cast iron ASTM A-126 Class B.
9	Adj. Lug - ASTM A-126 Class B.
10	Bronze Seats - ASTM B-21 alloy 482.
* 4" and 6" cover is cast in bronze	

TYPICAL SPECIFICATIONS WATERMAN MODEL C-16 SHEAR GATES

Shear gates shall be designed to effectively control flows under seating head conditions. Frame shall be of cast iron with pads to receive the bolt on wedges and shall be of the flanged type drilled for mounting to an ANSI 125# flange or mounting to a wall. The seating surface shall be bronze machined to a smooth surface. The wedges shall be cast bronze and be securely attached to the frame utilizing two stainless steel bolts per wedge and shall be adjustable to ensure proper closure.

The cover shall be cast iron with machined bronze seat attached (sizes 4" and 6" shall be cast bronze with machined seating surface) and incorporate cast wedge pads for mating with the wedges. The cover shall be mounted to the frame utilizing a stainless steel hinge bolt. A cast iron lifting lug shall be bolted to the cover in such a manner as to allow a swiveling action. The lug shall be made so that it accepts a pipe type lifting rod which is to be field cut to the desired length.

Shear gates shall be Waterman Industries, Inc. Model C-16 or approved equal.