

CIRCULAR OPENING
EXTENDED FLANGE BACK

P-32ff SLUICE GATE

- HEAVY DUTY
- SELF CONTAINED
- MEETS AWWA SPECIFICATIONS*
- 60 FOOT SEATING, 20 FOOT UNSEATING PRESSURE
- 6" THRU 14" SIZES

APPLICATION:

Waterman Sluice Gate Model P-32ff is ideally suited for pipe end shut-off applications. Commonly used for pumping stations, effluent ponding installations, and distributing boxes.

FEATURES:

The P-32ff Sluice Gate is ruggedly constructed of high strength, close-grained cast grey iron. Stainless steel non-rising stems with 29° acme threads are standard.

Primarily supplied with 2" square operating nut. Can be furnished with handwheel (as shown) or with alternate lifts as commonly supplied with any other sluice gate.

Features of note are:

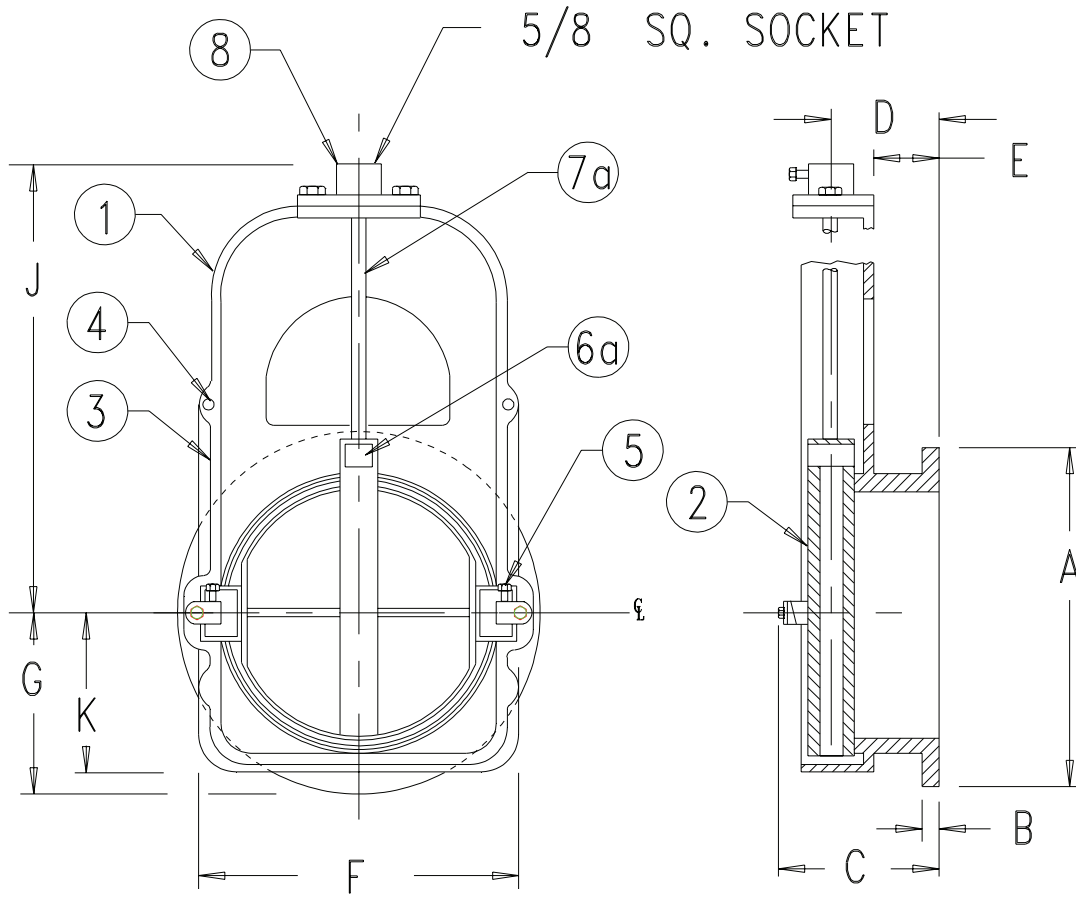
Available in 6" up to 14" opening diameter. Circular opening, circular extended flangeback frame. Bronze seat faces and adjustable wedges. Stainless steel stem, non-rising (standard) and rising (optional). Stainless steel assembly hardware. Circular flangeback mounting, with option of 25 lb. ANSI or 125 lb. ANSI drilling. Designed to accommodate the full range of lift types.

* with AWWA approved materials



P-32ff Sluice Gate

P-32ff SLUICE GATE

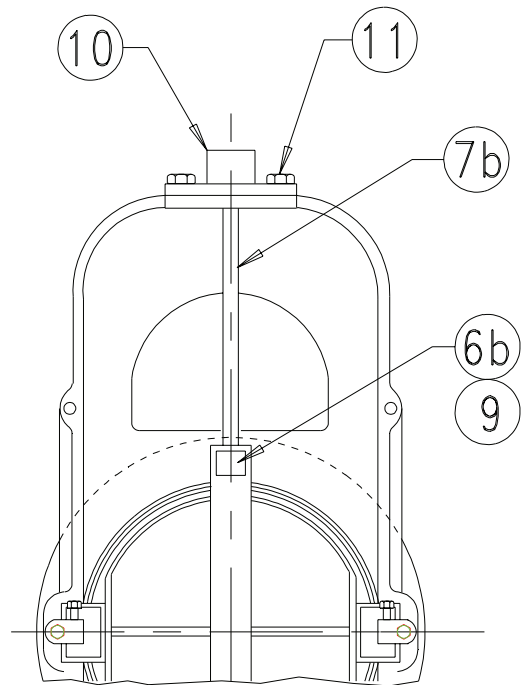


Non-Rising Stem

PARTS	
No.	Name
1	Frame - Cast Iron
2	Cover - Cast Iron
3	Guide Rails - Cast Iron
4	Rail Bolts - Stn. Stl.
5	Wedges - Bronze w/Stn. Stl. Hdwr.
Non-Rising Stem Ass'y.	
6a	Thrust Nut - Bronze
7a	Stem - Stn. Stl.
8	Lift Ass'y. - as req'd.
Rising Stem Ass'y.	
6b	Thrust Nut - Bronze
7b	Stem - Stn. Stl.
9	Pin - Stn. Stl.
10	Stem Guide - Cast Iron
11	Bolt & Nut - Stn. Stl.

DIMENSIONS IN INCHES									
GATE SIZE	A	B	C*	D*	E	F	G	J	K
6	1	.94	7 ⁵ / ₈	4 ³ / ₄	3 ³ / ₈	9 ⁷ / ₈	5 ¹ / ₂	14 ³ / ₈	4 ³ / ₄
8	13 ¹ / ₂	.94	7 ⁵ / ₈	4 ¹ / ₂	3 ³ / ₈	11	6 ³ / ₄	17 ⁵ / ₈	5 ¹ / ₂
10	1	.88	7 ⁷ / ₈	4 ³ / ₄	3 ⁵ / ₈	13 ¹ / ₈	8	20 ³ / ₄	6 ⁷ / ₈
12	19	1.12	8 ¹ / ₈	5	3 ³ / ₄	15 ³ / ₄	9 ¹ / ₂	24 ¹ / ₈	7 ³ / ₄
14	21	1.12	8 ¹ / ₈	5	3 ³ / ₄	18	10 ¹ / ₂	26 ¹ / ₂	8 ¹¹ / ₁₆

* Add grout pad thickness if applicable



Rising Stem

TYPICAL SPECIFICATIONS P-32ff SLUICE GATE

The following specifications for Waterman Heavy Duty P-32ff Sluice Gates are presented as an aid to the engineer and can be augmented with additional information to meet specific needs.

SCOPE

Each gate shall be furnished and installed complete with wall thimble or anchor bolts or studs, operating stem, gate lift operator and other appurtenances as specified or needed to make a complete and operable installation.

GENERAL

Gates, stems, lifts and other appurtenances shall be the size, type, material and construction as shown on the drawings and specified herein. Gates shall meet the requirements of **AWWA Specifications C-501** (latest revision). They shall be Waterman P-32ff Sluice Gates or approved equal. All component parts shall be of the type and material shown, and interchangeable where size and material are the same without grinding, chipping or special fitting in the field. All mating and sliding metal parts shall be fully machined. All sluice gate parts, including lift, shall be designed for the heads shown with a minimum safety factor of five. All materials used in the construction of the gates and appurtenances shall be the best suited for the application.

FRAME AND GUIDE RAILS

The frame and guide rails shall be cast iron construction. Frames shall be extended flange type with round opening as indicated on the plans and in the sluice gate schedule. The frame shall be provided with pads which shall be machined, drilled, and tapped for the mounting of the wedge devices. The back of the frame flange shall be machined to a plane and drilled to match the wall thimble or pipe flange.

COVER OR SLIDE

The cover shall be of one piece cast iron or cast bronze construction with sufficient ribs, a reinforced pocket to receive the thrust nut and pads to receive the wedges. All wedge pads shall be machined, drilled and tapped to receive the wedge devices. For non-rising stems, the stem shall turn freely in the thrust nut to open and close the slide as the stem is rotated. For rising stems, the thrust nut shall be securely pinned to the stem to prevent rotation to the stem.

SEATING FACES

Seats shall be of bronze which shall be permanently attached to both the frame and cover.

WEDGES

All wedges and wedge blocks shall be solid corrosion resistant material and shall be of sufficient number to provide a practical degree of watertightness. All wedge bearing surfaces and contact faces shall be machined to give maximum contact and wedging action. Wedges shall be fully adjustable, but once set shall not rotate or move from the desired position. All fasteners and adjustment screws shall be corrosion resistant.

YOKE

The sluice gate shall incorporate a cast iron yoke which shall be designed to transfer the lift thrust to the gate frame and attaching hardware.

See Heavy Duty Sluice Gate Specifications for such other items as:

Wall Thimbles and Anchor Bolts	Stem Guides
Stems and Stem Couplings	Painting
Manually Operated Lifts	