

PRF-15

FLOOR TYPE HYDROSTATIC PRESSURE RELIEF VALVE

BUILT FOR SUPERIOR PERFORMANCE AND RELIABILITY

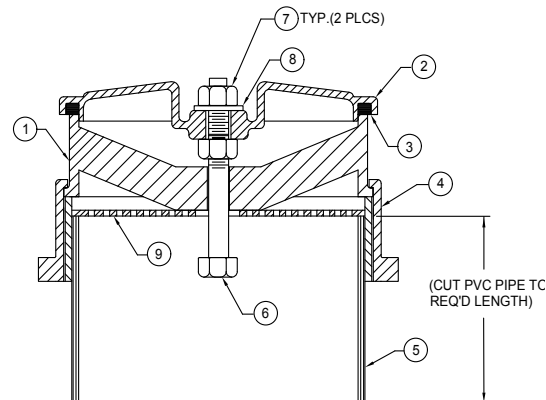
- 4" and 6" diameter sizes
- Heavy cast bronze frame and cover
- Neoprene seat for tight seal
- Unique PVC receiver end for PVC extension
- Stainless steel guide rod
- Bronze debris screen



The Waterman model PRF-15 hydrostatic pressure relief valve is the newest in a series of effective floor relief valves. This unit incorporates the latest technology in combining metal and plastic for ultimate longevity and ease of installation. The PVC receiver allows the installer to simply cut a length of PVC pipe to the desired length to be inserted, then set in place. The debris screen keeps gravel out of the unit and out of the structure. The all bronze body, cover, and stainless steel guide rod insures that the PRF-15 is the most durable and effective hydrostatic relief valve in the industry.

KEY COMPONENTS AND SPECIFICATIONS

No.	Name
1	Frame - Cast Bronze ASTM B584 alloy 844
2	Cover - Cast Bronze ASTM B584 alloy 844
3	Seal - Neoprene ASTM D-200
4	PVC Adaptor - PVC Plastic
5	PVC Plastic Pipe Extension - by others
6	Guide Rod - Stainless 304
7	Nut - Brass
8	Washer - Plastic
9	Screen - Brass



TYPICAL SPECIFICATIONS – WATERMAN MODEL PRF-15 HYDROSTATIC PRESSURE RELIEF VALVE

Hydroelectric pressure relief valves shall be designed to effectively relieve excess ground water from around submerged structures, helping to prevent floatation.

The valve shall be of minimum length with an integral PVC receiver including a water stop to prevent unwanted travel of fluids between the slab and the valve. The valve shall accept a plastic pipe extension which shall be field cut and installed by the contractor to the desired length. The debris screen shall be bronze. The frame shall be cast and shall be designed to permanently connect with the PVC extension adaptor.

The cover of the valve shall be of solid cast bronze and shall have a molded neoprene rubber seat which will provide a tight seal when in the closed position.

Hydrostatic pressure relief valves shall be Waterman Industries, Inc. Model PRF-15 or approved equal.

