

# P-32 SLUICE GATE

SIZES 6" TO 14" AWWA C560 CIRCULAR OPENING, EXTENDED FLANGEBACK

## APPLICATIONS

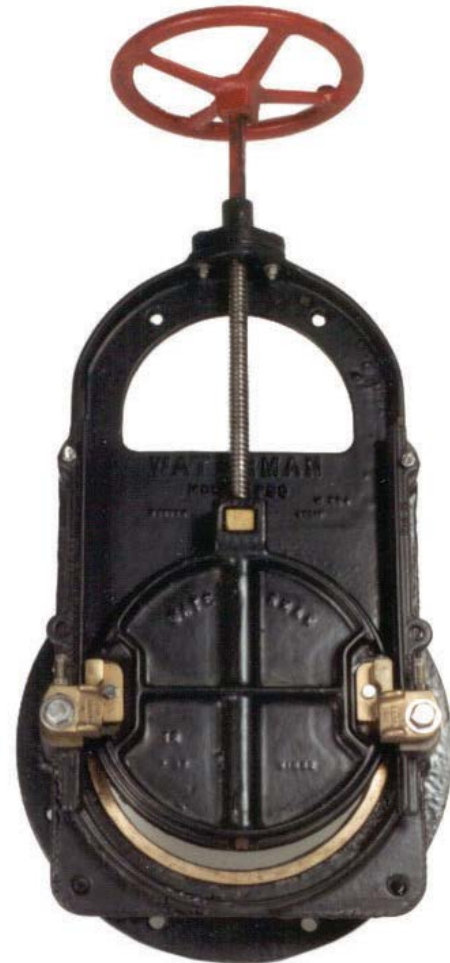
For pipe-end shutoff applications. Commonly used for pumping stations, effluent ponding installations, and distributing boxes.

## FEATURES

- Meets AWWA C560.
- Circular opening, extended flangeback mounting, standard with 125# ANSI standard drilling.
- Standard with 2" square operating nut.
- Rated up to 60 feet seating head, 20 feet unseating head.
- Fully self-contained. Cast iron yoke designed to transfer the lift thrust to the gate frame and attaching hardware.
- Standard bronze seats with adjustable seating wedges.
- Standard non-rising stainless steel stem with Acme 29-degree thread.

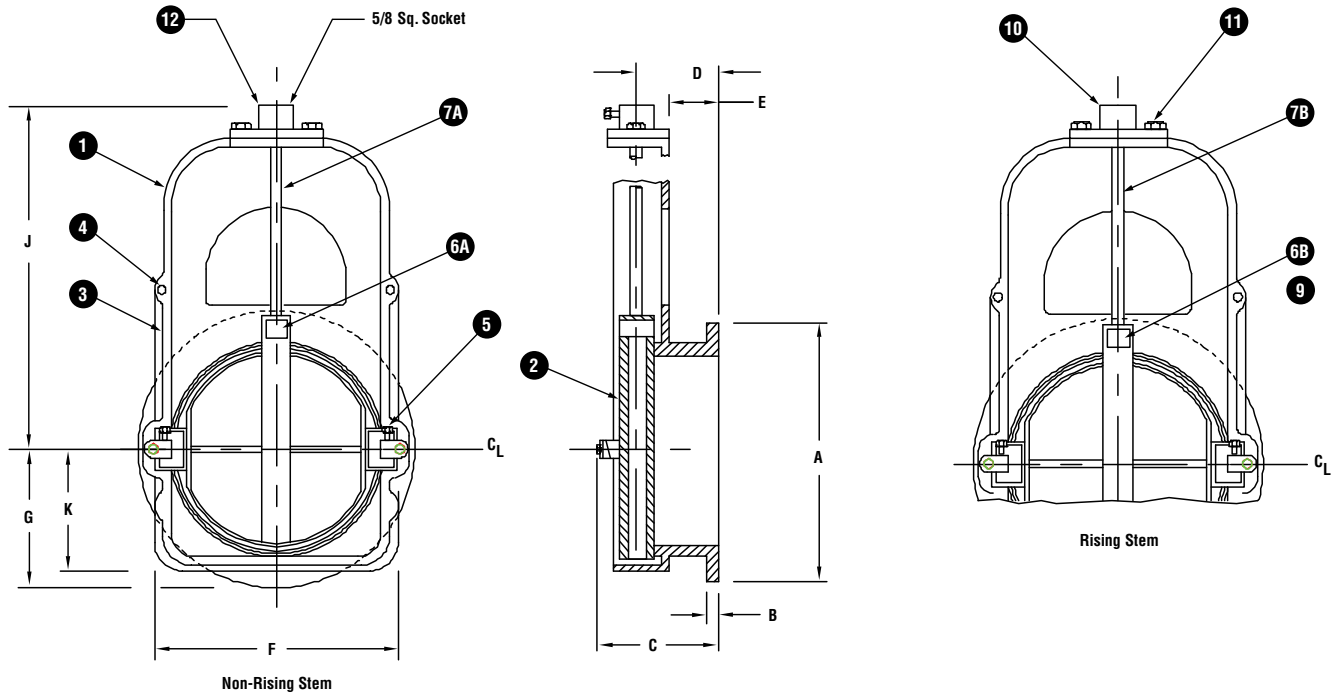
## OPTIONS

- Waterman standard drilling, 25# ANSI drilling.
- Handwheel or fitted with any Waterman lift type (pedestal geared hand crank, electric motor operator, etc.)
- Rising stem.



# P-32 SLUICE GATE

SIZES 6" TO 14" AWWA C560 CIRCULAR OPENING, EXTENDED FLANGEBACK



## MATERIALS OF CONSTRUCTION

Number	Name	Material
1	Frame	Cast Iron ASTM A-126, Class B
2	Cover	Cast Iron ASTM A-126, Class B
3	Guide Rails	Cast Iron ASTM A-126, Class B
4	Rail Bolts	Stainless Steel ASTM F-593
5	Wedges	Bronze ASTM B98 C65100, with Stainless Steel ASTM F-593 Hardware
6a or b	Thrust Nut	Bronze ASTM B98 C65100
7a or b	Stem	Stainless Steel ASTM F-593
8	Lift Assembly	2" Square Cast Iron ASTM A-126, Class B Operating Nut Standard, or other lift as required
9	Pin	Stainless Steel ASTM F-593
10	Stem Guide	Cast Iron ASTM A-126, Class B
11	Bolt & Nut	Stainless Steel ASTM F-593

## DIMENSIONS IN INCHES

Gate Size	A	B	C	D	E	F	G	J	K
6	11	0.94	7 5/8	4.75	3 3/8	9 7/8	5 1/2	14 3/8	4 3/4
8	13.5	0.94	7 5/8	4.5	3 3/8	11	6 3/4	17 5/8	5 1/2
10	16	0.88	7 5/8	4.75	3 5/8	13 1/8	8	20 3/4	6 7/8
12	19	1.12	8 1/8	5	3 3/4	15 3/4	9 1/2	24 1/8	7 3/4
14	21	1.12	8 1/8	5	3 3/4	18	10 1/2	26 1/2	8 11/16