

# PF-25-W FLAP VALVE

SIZES 4" TO 14", COMPRESSION CONNECTION TO PVC PIPE, FOR DRAINAGE OR PUMP DISCHARGE

## FEATURES

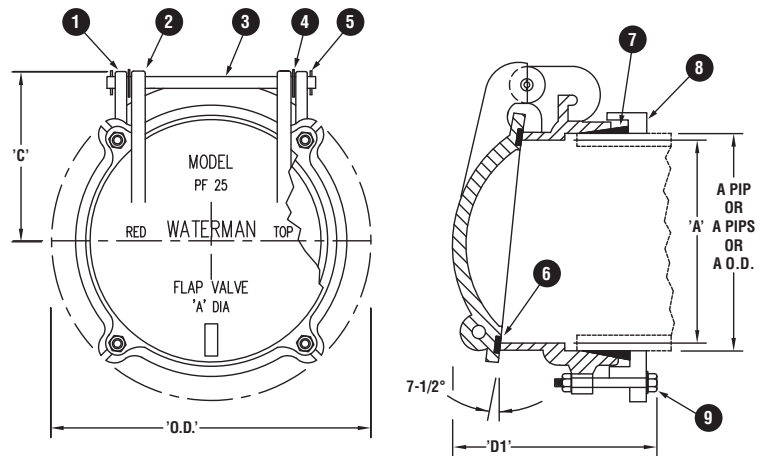
- Suitable for 25-foot seating head
- 7.5-degree angle ensures positive closure
- Easy-on compression connection for attaching to PVC pipe (specify when ordering IPS, PIP or SDR pipe)
- Iron cover with neoprene seat

## OPTIONS

- Counterweight options – consult factory
- Cushioning options available – consult factory

## GASKET SIZING

When ordering advise factory of desired gasket size to match your pipe: standard IPS size pipe (O.D. sizes 4½", 6½", 8 5/8", 10¾", 12¾", 14"), O.D. size pipe (O.D. size is nominal, i.e. 10" = 10") or SDR-35.



| MATERIALS OF CONSTRUCTION |                     |                             |
|---------------------------|---------------------|-----------------------------|
| Number                    | Name                | Material                    |
| 1                         | Frame               | Cast Iron ASTM A126 Class B |
| 2                         | Cover               | Cast Iron ASTM A126 Class B |
| 3                         | Hinge Pin           | Stainless Steel             |
| 4                         | Washer              | Stainless Steel             |
| 5                         | Spring Pin          | Stainless Steel             |
| 6                         | Seat                | Neoprene Rubber             |
| 7                         | Gasket              | Rubber                      |
| 8                         | Ring                |                             |
| 9                         | Hex Bolt Nut Washer | Stainless Steel             |

| DIMENSIONS (IN INCHES) |        |        |       |        |        |       |         |
|------------------------|--------|--------|-------|--------|--------|-------|---------|
| Size                   | A      | C      | D1    | OD     | A IPS  | A PIP | A O.D.  |
| 4                      | 4 1/16 | 5 1/4  | 5 1/4 | 6 1/2  | 4 1/2  | 4.13  | 4       |
| 6                      | 6 1/8  | 6      | 6 1/4 | 9 3/8  | 6 5/8  | 6.14  | 6       |
| 8                      | 8 1/4  | 7      | 6 1/4 | 11 3/4 | 8 5/8  | 8.16  | 8       |
| 10                     | 10 1/8 | 8 1/4  | 6 1/2 | 13 7/8 | 10 3/4 | 10.2  | 10      |
| 12                     | 12 1/8 | 9 1/2  | 7     | 15 7/8 | 12 3/4 | 12.24 | 12      |
| 14                     | 14     | 10 1/2 | 7 1/2 | 17 5/8 |        |       | 14 1/16 |



WATERMAN VALVE LLC

25500 Road 204, Exeter, CA 93221 www.WatermanUSA.com 800.331.0808

