

F-55 FLAP VALVE

SIZES 4" TO 108", HEAVIEST DUTY, RATED UP TO 55 FEET OF SEATING HEAD

STANDARD FEATURES

- **Our highest head model:** seating head of up to 55 feet
- **Positive closing:** minimum of 2½° seat incline.
- **Adjustable, double-pivoted steel hinge links:** permit complete seating, full opening, and prevent cover from rotating sufficiently to become wedged in the open position

SEATING OPTIONS

Standard: Machined iron to machined iron

Optional:

- Bronze to bronze
- Bronze to rubber, with rubber on cover
- Bronze to rubber with rubber on frame

MOUNTING OPTIONS

Standard: Pipe flange mounted (ANSI 125# drilling)

Optional:

- Wall mounted (Waterman drilling)
- Thimble Mounted
- Modified ANSI 125#

FINISH OPTIONS

Standard: Amerlock 400

Optional:

- Specialized paint coatings (including polyamide epoxy paint, Tnemec 69, coal tar epoxy, fusion epoxy - consult with factory for all options) or total galvanizing



ADDITIONAL OPTIONS + UPGRADES

- Leaf spring bumper with rubber cushion block for pump discharge applications, limits cover travel to 90-degrees
- Ni-Resist material for frame, cover and hinge block
- Hinge links in Type 304 or 316 stainless steel
- Hinge bushings: non-metallic, permalube bronze
- Lube fittings for hinges
- Type 316 stainless steel assembly hardware (vs. Type 304)



WATERMAN VALVE LLC

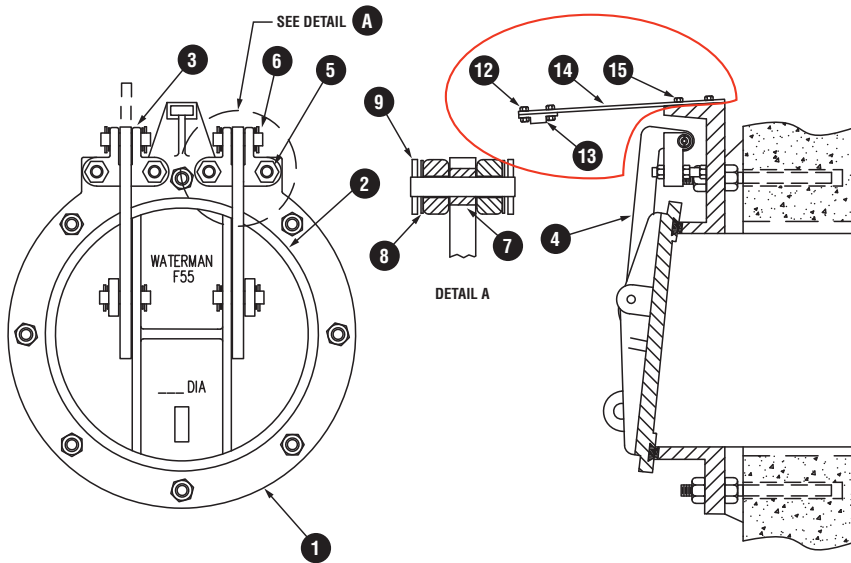
25500 Road 204, Exeter, CA 93221 www.WatermanUSA.com 800.331.0808



F-55 FLAP VALVE

SIZES 4" TO 108", HEAVIEST DUTY, RATED UP TO 55 FEET OF SEATING HEAD

MATERIALS OF CONSTRUCTION

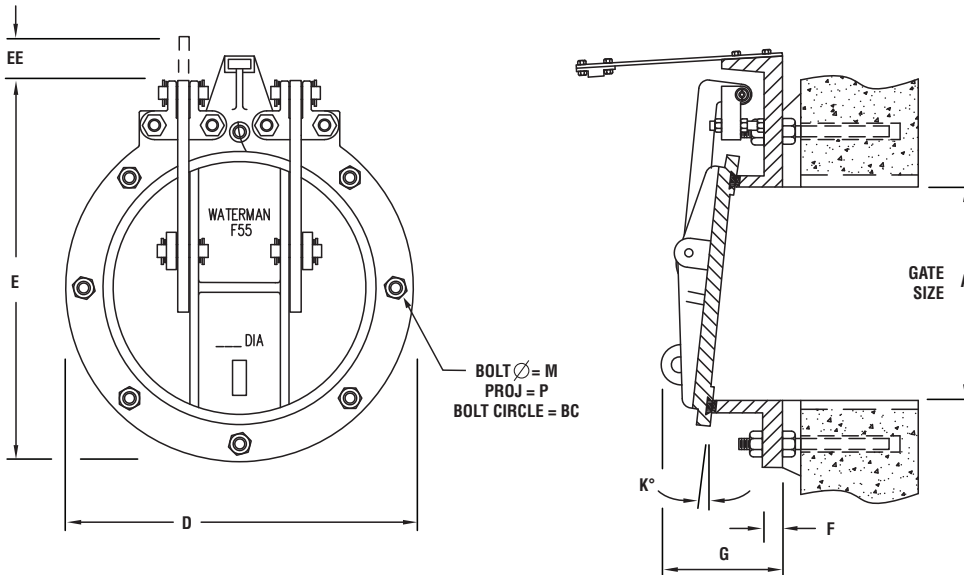


| MATERIALS OF CONSTRUCTION | | |
|--|------------------------------------|---|
| Number | Name | Material |
| 1 | Frame | Cast Iron ASTM A-126, Class B |
| 2 | Cover | Cast Iron ASTM A-126, Class B |
| 3 | Pivot Lug | Ductile Iron per ASTM A-536, Gr. 65-45-12 |
| 4 | Hinge Link | Structural Steel per ASTM A-36, galvanized per ASTM A-123 |
| 5 | Hinge Studs and Nuts | Stainless Steel ASTM F-593 |
| 6 | Hinge Pin | Stainless Steel ASTM F-593 |
| 7 | Hinge Bushing | Commercial Bronze |
| 8 | Washers | Stainless Steel ASTM F-593 |
| 9 | Spring Pin | Stainless Steel ASTM F-593 |
| 10 | Set Screw | Stainless Steel ASTM F-593 |
| 11 | Lube Fitting (optional, not shown) | |
| OPTIONAL ITEMS IF SPRING BUMPER IS SPECIFIED | | |
| 12 | Bumper Bolt & Nut | Stainless Steel ASTM F-593 |
| 13 | Bumper | Reinforced Rubber |
| 14 | Spring | |
| 15 | Spring Bolt | Stainless Steel ASTM F-593 |

F-55 FLAP VALVE

SIZES 4" TO 108", HEAVIEST DUTY, RATED UP TO 55 FEET OF SEATING HEAD

GATE DIMENSIONS (MODELS 4" - 48")



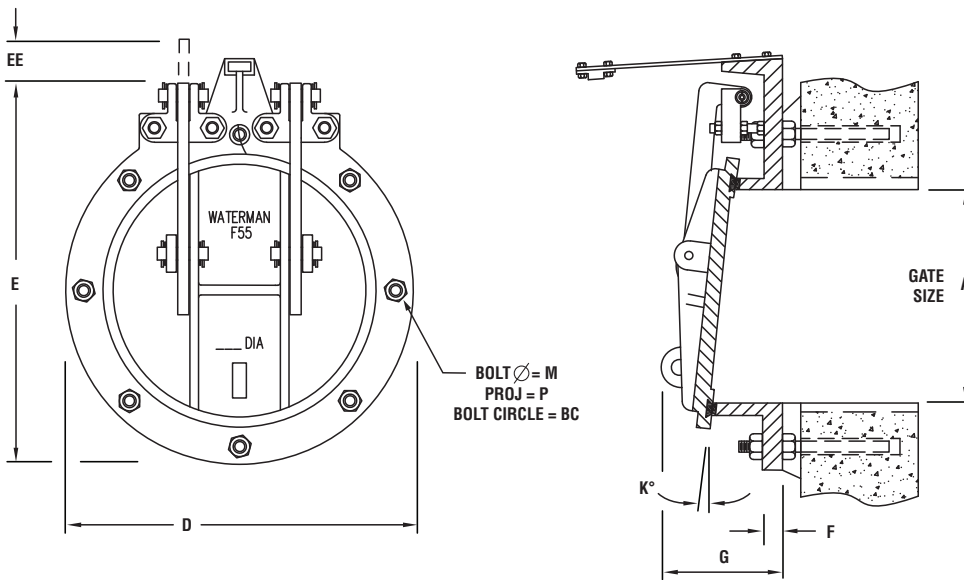
GATE DIMENSIONS IN INCHES

| Gate Size A | 4 | 6 | 8 | 10 | 12 | 14 | 15 | 16 | 18 | 20 | 21 | 24 | 30 | 36 | 42 | 48 |
|--------------|--------|-----|-------|-------|-----|-------|------|-------|-------|------|------|------|-------|-------|-------|-------|
| BC | 7.5 | 9.5 | 11.75 | 14.25 | 17 | 18.75 | 20 | 21.25 | 22.75 | 25 | 25 | 29.5 | 36 | 42.75 | 49.75 | 56 |
| D | 9 | 11 | 13.5 | 16 | 19 | 21 | 22.5 | 23.5 | 25 | 27.5 | 27.5 | 32 | 38.25 | 46 | 53 | 59.75 |
| E | 9.75 | 12 | 14.5 | 16 | 19 | 22 | 25 | 24 | 28.5 | 28 | 30 | 35 | 40.5 | 46.5 | 54.75 | 66 |
| EE | 1.75 | 2 | 2.2 | 2.6 | 3 | 3.2 | 3.25 | 3 | 3.2 | 3.2 | 2.8 | 3 | 3.5 | 3.5 | 4.2 | 4.8 |
| F | 5/8 | 3/4 | 3/4 | 4/5 | 7/8 | 7/8 | 7/8 | 7/8 | 1 | 1 | 1 | 1 | 1 5/8 | 1 1/8 | 1.5 | 1.5 |
| G | 3 9/16 | 2.5 | 2.75 | 3 | 3.5 | 6 | 6.5 | 6.5 | 7 | 7 | 7.5 | 8 | 8 | 9 | 8.5 | 10 |
| K | 5 | 5 | 5 | 5 | 5 | 5 | 5 | 5 | 5 | 5 | 5 | 2.5 | 2.5 | 2.5 | 2.5 | 2.5 |
| M | 5/8 | 5/8 | 5/8 | 5/8 | 3/4 | 3/4 | 3/4 | 3/4 | 3/4 | 3/4 | 3/4 | 3/4 | 7/8 | 7/8 | 1 | 1 |
| P | 1.5 | 1.5 | 1.5 | 1.5 | 1.5 | 1.5 | 1.5 | 1.5 | 1.5 | 1.75 | 1.75 | 1.75 | 2.25 | 2.25 | 2.25 | 2 3/8 |
| No. of Bolts | 4 | 4 | 4 | 6 | 6 | 6 | 6 | 6 | 6 | 8 | 8 | 8 | 8 | 8 | 12 | 12 |
| BC | 2 | 1 | 1 | 3 | 3 | 3 | 3 | 3 | 3 | 4 | 4 | 4 | 4 | 4 | 5 | 5 |

F-55 FLAP VALVE

SIZES 4" TO 108", HEAVIEST DUTY, RATED UP TO 55 FEET OF SEATING HEAD

GATE DIMENSIONS (MODELS 54" - 108")



GATE DIMENSIONS IN INCHES

| Gate Size A | 54 | 60 | 66 | 72 | 84 | 96 | 108 |
|--------------|-------|---------|-------|-------|-------|--------|-------|
| BC | 62.25 | 69.25 | 76 | 82.5 | 95.5 | 108.5 | 119.5 |
| D | 66.5 | 73 | 80 | 86.5 | 99.75 | 113.25 | 124 |
| E | 72 | 75 | 85.25 | 92.25 | 105.5 | 119 | 130 |
| EE | 6 | 6.25 | 7 | 10 | 10 | 10 | 10 |
| F | 1.75 | 1.75 | 2.25 | 2.25 | 2.25 | 2.25 | 2.5 |
| G | 10 | 10 7/16 | 14 | 14.5 | 17 | 21 | 21 |
| K | 2.5 | 2.5 | 2.5 | 2.5 | 2.5 | 2.5 | 2.5 |
| M | 1 | 1 1/8 | 1 1/8 | 1 1/8 | 1.25 | 1.25 | 1.25 |
| P | 2.75 | 3 | 3 | 3.5 | 4 | 4.5 | 4.5 |
| No. of Bolts | 12 | 12 | 12 | 16 | 16 | 16 | 24 |
| Q | 5 | 5 | 5 | 6 | 6 | 6 | 7 |