



Standard Fabricated Slide Gates Ordering Information

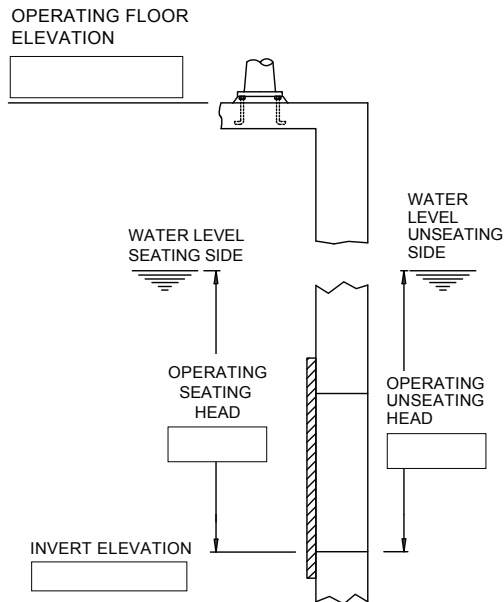
Project Name: _____ Project Location: _____ Bid Date: _____

1 Gate Information Quantity of Gates _____ Material Stainless Steel 316L

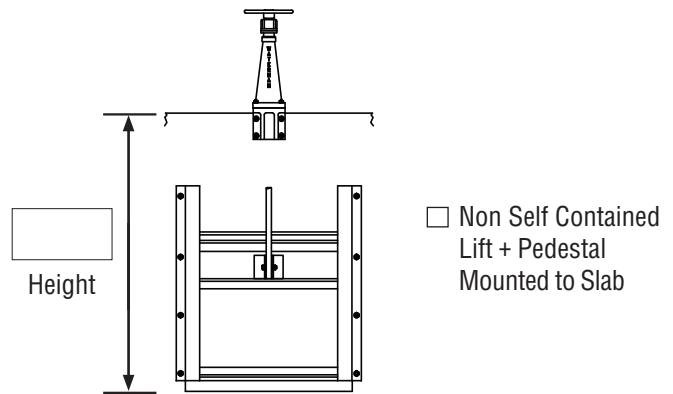
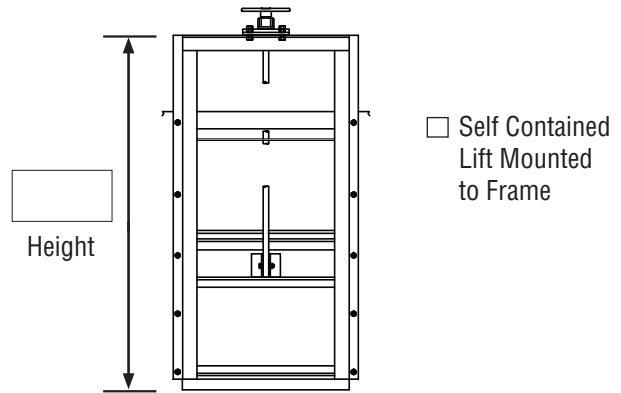
2 Rectangular Standard Sizes

- | | | |
|----------------------------------|----------------------------------|----------------------------------|
| <input type="checkbox"/> 6 x 6 | <input type="checkbox"/> 30 x 42 | <input type="checkbox"/> 48 x 42 |
| <input type="checkbox"/> 12 x 12 | <input type="checkbox"/> 30 x 48 | <input type="checkbox"/> 48 x 48 |
| <input type="checkbox"/> 12 x 24 | <input type="checkbox"/> 36 x 30 | <input type="checkbox"/> 48 x 60 |
| <input type="checkbox"/> 18 x 18 | <input type="checkbox"/> 36 x 36 | <input type="checkbox"/> 48 x 72 |
| <input type="checkbox"/> 18 x 24 | <input type="checkbox"/> 36 x 42 | <input type="checkbox"/> 54 x 54 |
| <input type="checkbox"/> 18 x 30 | <input type="checkbox"/> 36 x 48 | <input type="checkbox"/> 60 x 36 |
| <input type="checkbox"/> 21 x 21 | <input type="checkbox"/> 36 x 60 | <input type="checkbox"/> 60 x 42 |
| <input type="checkbox"/> 24 x 24 | <input type="checkbox"/> 42 x 30 | <input type="checkbox"/> 60 x 48 |
| <input type="checkbox"/> 24 x 30 | <input type="checkbox"/> 42 x 36 | <input type="checkbox"/> 60 x 60 |
| <input type="checkbox"/> 24 x 36 | <input type="checkbox"/> 42 x 42 | <input type="checkbox"/> 60 x 72 |
| <input type="checkbox"/> 24 x 48 | <input type="checkbox"/> 42 x 48 | <input type="checkbox"/> 72 x 42 |
| <input type="checkbox"/> 30 x 24 | <input type="checkbox"/> 42 x 60 | <input type="checkbox"/> 72 x 48 |
| <input type="checkbox"/> 30 x 30 | <input type="checkbox"/> 48 x 30 | <input type="checkbox"/> 72 x 60 |
| <input type="checkbox"/> 30 x 36 | <input type="checkbox"/> 48 x 36 | <input type="checkbox"/> 72 x 72 |

4 Gate Design Requirements



3 Mounting and Lift



Lift: Manual handwheel or handcrank will be provided, based on gate dimensions furnished.

5 Other Gate Information

- Upward Opening
- Seals:** 3 Sides 4 Sides
- Mounting:** Headwall

