

# WATERMAN STOP LOGS

STAINLESS STEEL OR ALUMINUM

## OVERVIEW

Waterman stop logs are used to control open channel flow and level control. Low weight logs are lifted with an overhead crane and inserted into slots/guides in the channel. Guides can be embedded in the channel walls or can be installed on the wall surface.

## APPLICATIONS

- Water level control
- Open channel service
- Equipment isolation / maintenance

## KEY FEATURES AND BENEFITS

- Directional pressure sealing with specially-shaped bottom and side seal on each log. Bottom seal is continuous across entire face of log. All seals attached to log for ease of cleaning, inspection and repair. Designed to seal if log is slightly offset during installation. Install with rubber seal on log downstream. (bi-directional sealing optional)
- User-selected water level with logs offered in 6" increments. 12" logs are standard. Option to mix different log heights for different levels of control. Logs for a specific channel can be installed in any order and interchanged as needed.

- Lifting device can be supplied to fit each log stack. Lifter incorporates self-engaging device to latch onto logs for removal or placement. Lifter operates with overhead crane, davit crane or mobile crane.
- Log storage racks can be supplied to store logs not in use.
- Stainless steel or aluminum logs available. Waterman recommends a stainless-steel frame regardless of log type for added strength and rigidity.

## SIZING AND SELECTION

- Commonly specified in widths up to 12-feet.
- Log heights: 12" standard, 6" and 18" also available. Mix log heights as needed to achieve desired levels.
- Standard mounting: wall embedded frame / guide
- Optional mounting: channel wall-surface-mounted guide, or end-of-channel frame

## INSTALLATION AND OPERATION

- Logs cannot be installed when high flows are present or removed under high heads. Consider a small gate for fill or balancing to aid in removal.



**MPI – MCWANE PLANT & INDUSTRIAL**

1201 Vanderbilt Road Birmingham, AL 35234 866.924.8674 [www.mcwanepi.com](http://www.mcwanepi.com) [sales@mcwanepi.com](mailto:sales@mcwanepi.com)

Kennedy Valve | Tyler Union | McWane Ductile | Waterman

# WATERMAN STOP LOGS

STAINLESS STEEL OR ALUMINUM

## MATERIALS OF CONSTRUCTION

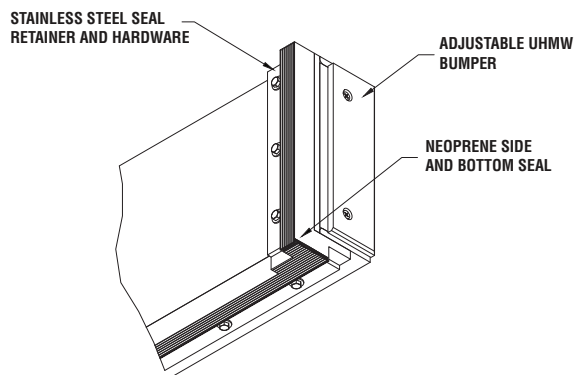
- Log material: Standard: Stainless Steel 304L  
Optional: Stainless Steel 316  
or Aluminum 6061 T-6
- Log guide frame: Stainless Steel 304L standard.  
Aluminum optional.
- Log Lifting Beam: Stainless Steel 304L
- Seals: Neoprene D2000 grade 1BE625 standard; EPDM  
or Buna-N optional.
- Guide bars: UHMWPE Ultra-High Molecular Weight Polyethylene
- Hooks and Fasteners: Stainless steel, ASTM A276, Type 304

## OPTIONAL LOG STORAGE RACK

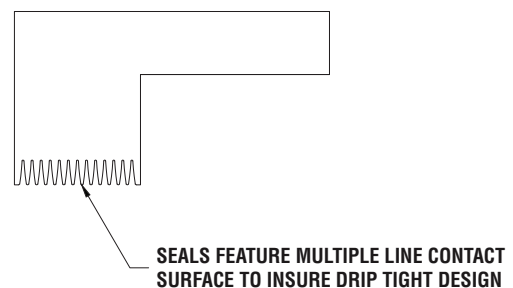
Waterman recommends use of a log storage rack for safe storage of the stop logs when not installed in the channel. A variety of log racks are available including floor-mounted, free-standing and wall-mounted. Proper storage of logs avoids the potential for damage or a trip hazard. Waterman's warranty does not apply if logs are not stored properly.

## SPECIAL SEAL DESIGN = FAST INSTALLATION & DRIP TIGHT PERFORMANCE

Waterman stop logs include a custom-engineered seal with multiple line contact surface to ensure drip tight performance even when logs are not precisely aligned in the channel. This eliminates the need to manually adjust the log placement to achieve a water-tight seal.



Corner detail showing log-mounted continuous bottom seal and side seal with multiple contact lines. UHMWPE guide on side.



Seal detail shows multiple lines of contact. This self-adapting design seals in situations where there is debris on the surface or where logs are slightly misaligned during installation.



**MPI – MCWANE PLANT & INDUSTRIAL**

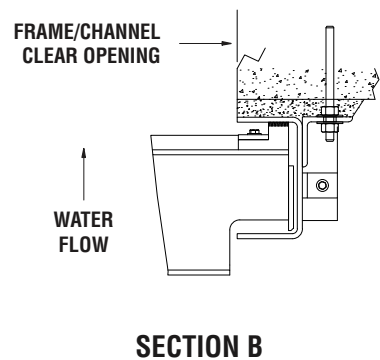
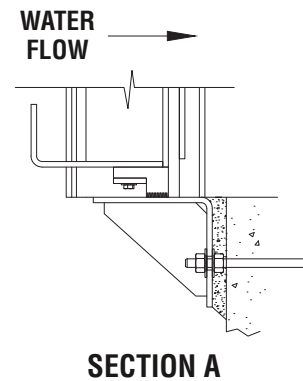
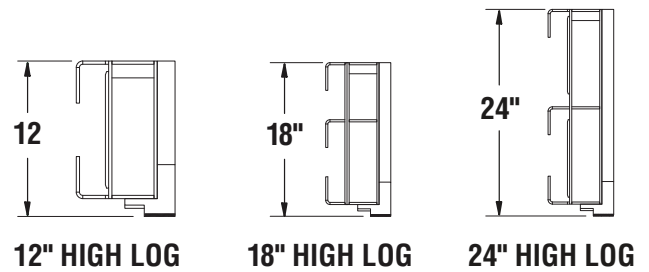
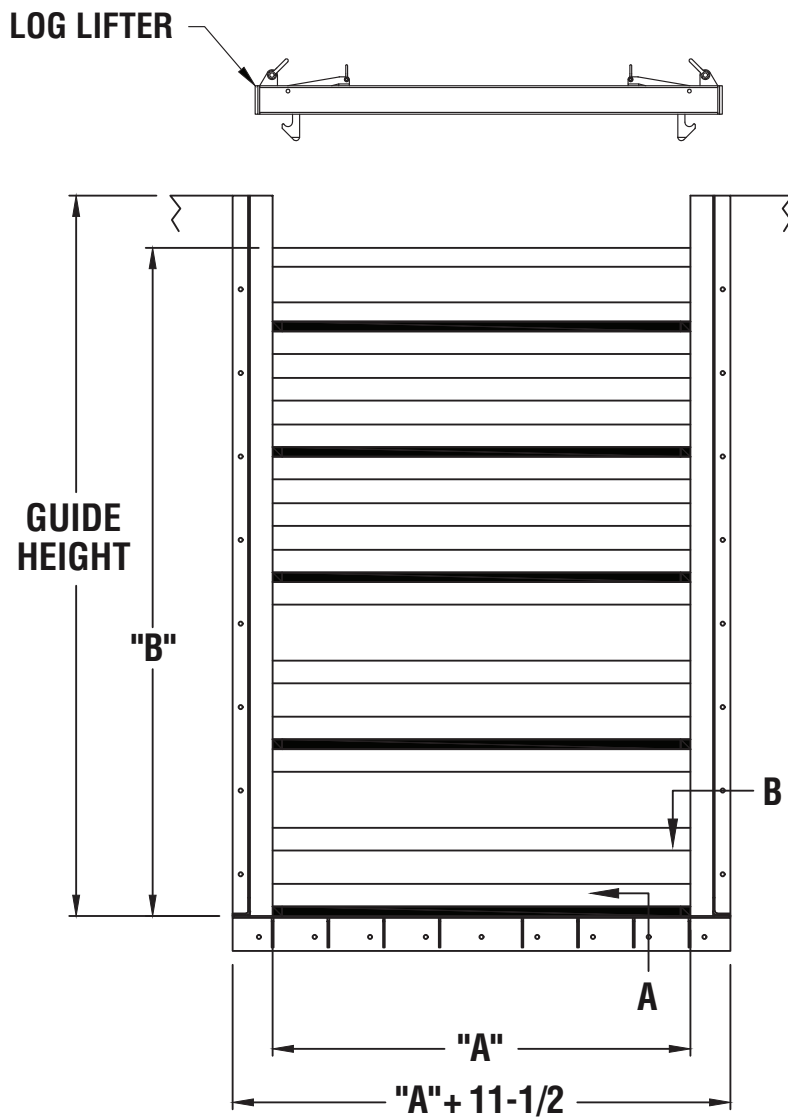
1201 Vanderbilt Road Birmingham, AL 35234 866.924.8674 [www.mcwanepi.com](http://www.mcwanepi.com) [sales@mcwanepi.com](mailto:sales@mcwanepi.com)

Kennedy Valve | Tyler Union | McWane Ductile | Waterman

# WATERMAN STOP LOGS

STAINLESS STEEL OR ALUMINUM

## WALL MOUNTED WITH GROUT PAD



MPI – MCWANE PLANT & INDUSTRIAL

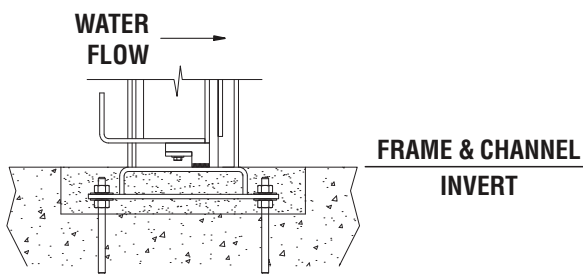
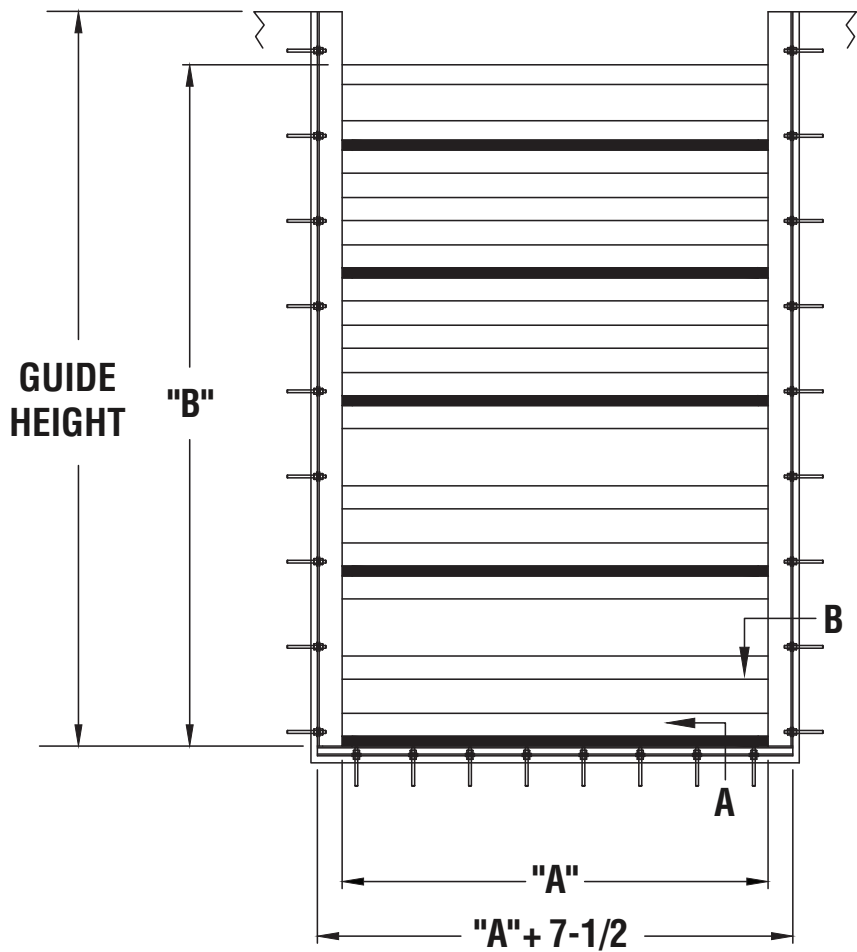
1201 Vanderbilt Road Birmingham, AL 35234 866.924.8674 www.mcwanepi.com sales@mcwanepi.com

Kennedy Valve | Tyler Union | McWane Ductile | Waterman

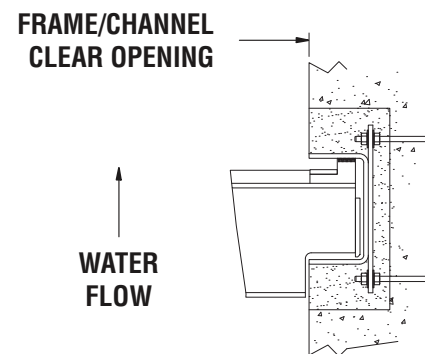
# WATERMAN STOP LOGS

STAINLESS STEEL OR ALUMINUM

## EMBEDDED CHANNEL MOUNTED



SECTION A



SECTION B



MPI – MCWANE PLANT & INDUSTRIAL

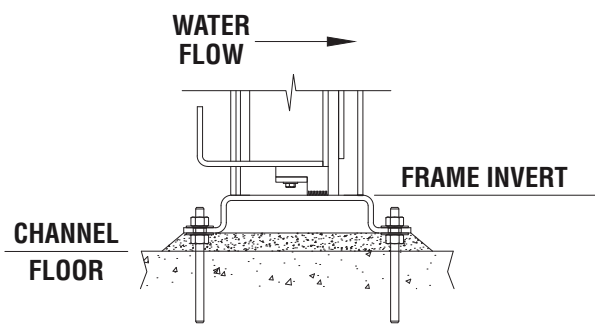
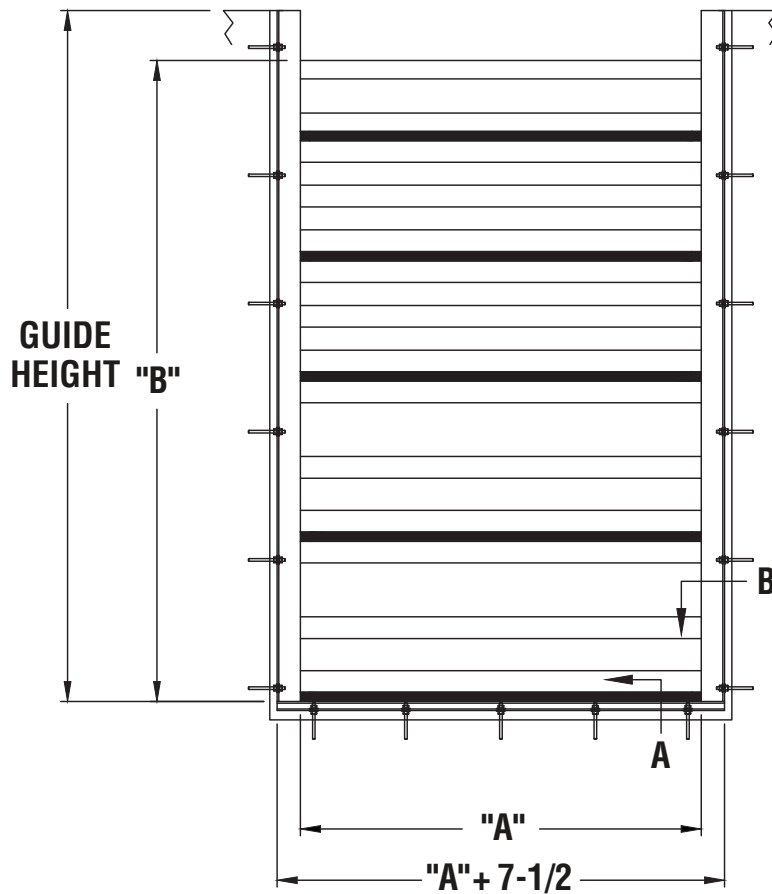
1201 Vanderbilt Road Birmingham, AL 35234 866.924.8674 www.mcwanepi.com sales@mcwanepi.com

Kennedy Valve | Tyler Union | McWane Ductile | Waterman

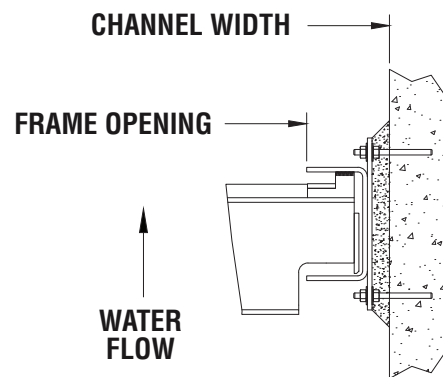
# WATERMAN STOP LOGS

STAINLESS STEEL OR ALUMINUM

## SURFACE CHANNEL MOUNTED



SECTION A



SECTION B



MPI – MCWANE PLANT & INDUSTRIAL

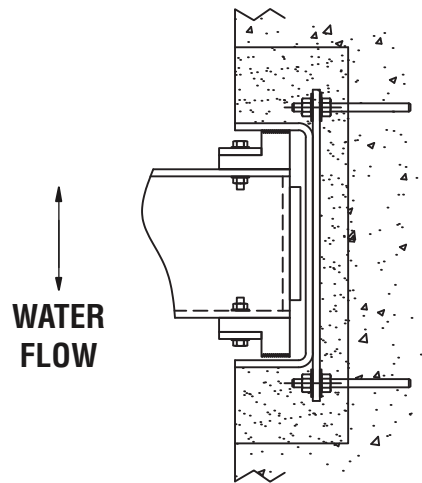
1201 Vanderbilt Road Birmingham, AL 35234 866.924.8674 www.mcwanepi.com sales@mcwanepi.com

Kennedy Valve | Tyler Union | McWane Ductile | Waterman

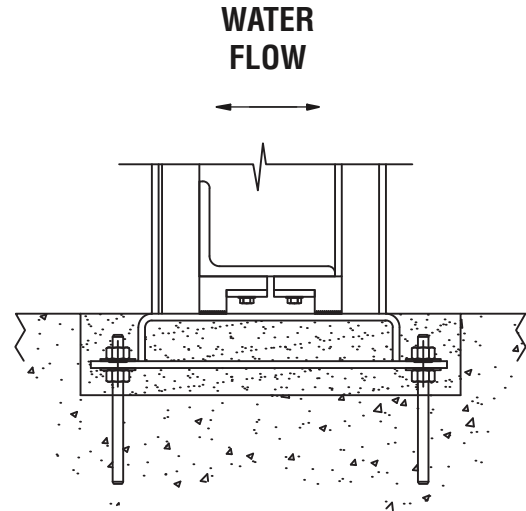
# WATERMAN STOP LOGS

STAINLESS STEEL OR ALUMINUM

## BI-DIRECTIONAL SEALING STOP LOGS (OPTIONAL)



GUIDE RAIL



INVERT

SHOWN FOR EMBEDDED CHANNEL MOUNT,  
BUT AVAILABLE IN ALL CONFIGURATIONS



MPI – MCWANE PLANT & INDUSTRIAL

1201 Vanderbilt Road Birmingham, AL 35234 866.924.8674 [www.mcwanepi.com](http://www.mcwanepi.com) [sales@mcwanepi.com](mailto:sales@mcwanepi.com)

Kennedy Valve | Tyler Union | McWane Ductile | Waterman