

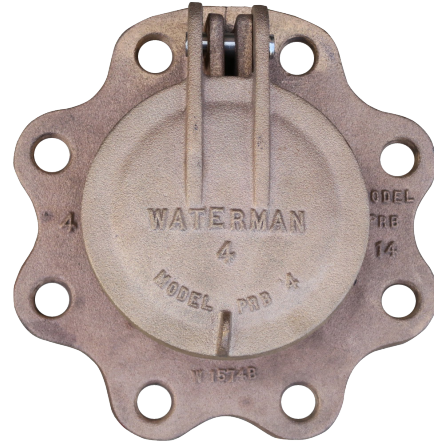
# PRB-14

## WALL TYPE HYDROSTATIC PRESSURE RELIEF VALVE, CAST BRONZE

### FEATURES

- Cast bronze frame and cover
- 125# flange

The PRB-14 Wall Type Hydrostatic Pressure Relief Valve mounts on the side wall of tanks and digesters. This all bronze valve is provided with 4" or 6" flanged end for connection to pipe insert in wall. Flange bolts and gaskets are available. There is a soft neoprene seat built into the cover of the valve which affords a cushion effect against any grit that might lodge on it, and is impervious to the caustic effect of the sewage.



### TYPICAL SPECIFICATIONS

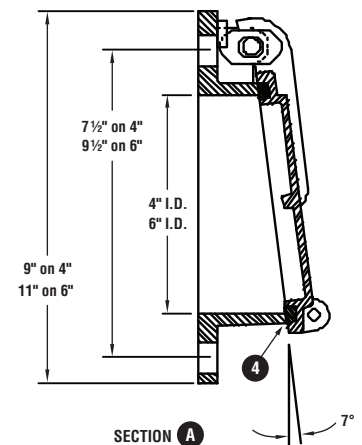
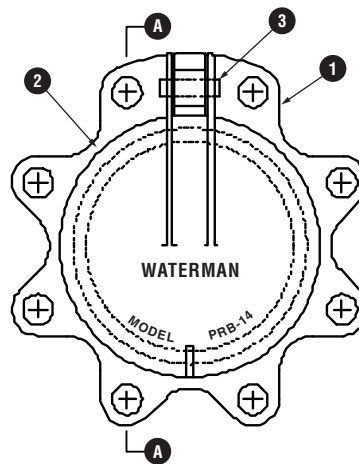
#### WATERMAN MODEL PRB-14 WALL TYPE HYDROSTATIC PRESSURE RELIEF VALVE

Hydrostatic pressure relief valves shall be designed to effectively relieve excess ground water from around submerged structures, helping to prevent flotation of the structure

The valve frame shall be of solid cast bronze with a machined seating surface. The frame shall be of the flanged type with holes for mounting to an ANSI 125# standard flange or on the flat surface of a wall. The valve cover (flap) shall also be of solid cast bronze incorporating a neoprene rubber seating surface mounted in a dovetail type groove. Hinge arms shall be cast integrally with the cover and be attached to the frame utilizing a stainless steel spring pin.

Hydrostatic pressure relief valves shall be Waterman model PRB-14 or approved equal.

MATERIALS		
Number	Name	Material
1	Frame	Cast bronze per ASTM 584 alloy 844
2	Cover	Cast bronze ASTM B-584 alloy 844
3	Hinge Pin	Spring Pin ASME B.18.8.1
4	Seat	Neoprene ASTM D-2000



**MPI – MCWANE PLANT & INDUSTRIAL**

1201 Vanderbilt Road Birmingham, AL 35234 [www.mcwanepi.com](http://www.mcwanepi.com) [sales@mcwanepi.com](mailto:sales@mcwanepi.com)

Kennedy Valve | Tyler Union | McWane Ductile | Waterman