

PRF-15 FLOOR TYPE HYDROSTATIC PRESSURE RELIEF VALVE

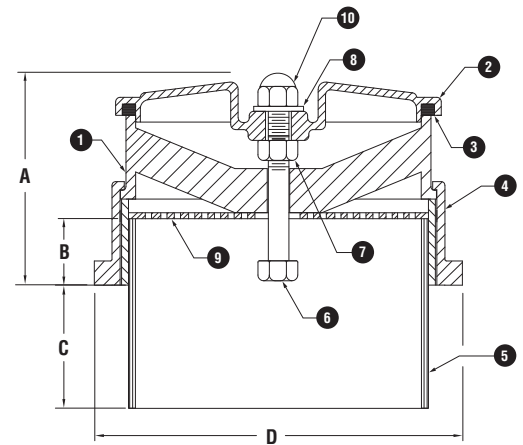
4" AND 6" SIZES, BRONZE AND STAINLESS-STEEL CONSTRUCTION

APPLICATIONS

Hydrostatic pressure relief valves are used to equalize pressure between groundwater and within tanks and digesters to prevent tank floating. The groundwater pressure increase triggers the valve to open.

STANDARD FEATURES

- All bronze body, bronze cover, and stainless-steel guide rod insures most durable and effective hydrostatic relief valve in the industry.
- PVC receiver allows the installer to simply cut a length of IPS PVC pipe to the desired length to adjust the height of the valve.
- Bronze debris screen keeps gravel out of the unit and out of the structure.
- Neoprene cover seal.
- Opening pressure: Model PRF-15 opens with 0.20 PSI for the 6" valve and 0.29 PSI for the 4" valve.



MATERIALS OF CONSTRUCTION

Number	Name	Material
1	Frame	Cast Bronze ASTM B584 alloy 844
2	Cover	Cast Bronze ASTM B584 alloy 844
3	Seal	Neoprene ASTM D-200
4	PVC Socket Adapter	PVC Plastic
5	PVC IPS Pipe Extension	PVC IPS Pipe (Sch 40 typical), supplied by others
6	Guide Rod	Stainless Steel 304
7	Nut	Commercial Brass
8	Washer	Plastic
9	Brass	Brass
10	Cap Nut	Plated Steel

DIMENSIONS IN INCHES

	4" Model	6" Model
A	4 1/8"	5 3/4"
B	1 1/2"	2 1/8"
C	6 1/2"	7 7/8"
D	6	8 3/16"



MPI – MCWANE PLANT & INDUSTRIAL

1201 Vanderbilt Road Birmingham, AL 35234 www.mcwanepi.com sales@mcwanepi.com

Kennedy Valve | Tyler Union | McWane Ductile | Waterman