

SSF-41 ROUND DRAINAGE FLAP GATES

FABRICATED STAINLESS STEEL

KEY FEATURES

- Spigot back, flatback or flangeback
- Sizes 8" - 84" (Custom spigot sizes available)
- Seating heads to 30 feet
- A corrosion-resistant rust-proof automatic drainage gate designed for flange mounting or wall mounting
- J-Bulb neoprene adjustable seats provide excellent sealing against return flow
- Frame, cover, retainer ring, hinge arm, and pivot lug are of stainless steel. Gate hardware is stainless steel.
- Flatback for mounting to headwall.
- Flangeback to mate with 25# or 125# pipe flange.



SSF-41 Spigotback



SSF-41 Flangeback

SPECIFICATIONS

GENERAL

The flap gate shall be designed to allow free outflow and prevent backflow for maximum seating heads of 30 feet (see size chart below). Gates shall be Waterman Model SSF-41 or equal.

CONSTRUCTION

The frame shall be stainless steel of flatback, spigotback or flangeback design (or other specified design configuration as required) with seating surface inclined from vertical at a minimum of 2½° to assure positive closure. The stainless steel cover shall be attached to the frame in such a manner as to allow proper seating and full opening of cover. Built in stops shall be provided to prevent the cover from rotating sufficiently to become wedged in the open position. A resilient neoprene seal shall be attached to the inside of the frame opening and shall act as a seat for the cover to seal against. The seal shall be retained by a stainless steel ring bolted or welded to the frame. The linkage system shall be of the double pivoted type, attached to fixed pivot points on cover and frame. Hinge links shall be of structural stainless steel shapes. The heavily reinforced hinge arm of the Model SSF-41 is fastened to the pivot lug by means of heavy stainless steel hinge pins inserted through a durable non-metallic bushing. The hinge pin is arranged in a double shear configuration at extremely close tolerances thus severely limiting lateral movement. This, in conjunction with the protruding rubber seat (in lieu of a recessed seat) insures positive seating at all times regardless of the angle of tidal action.

FINISH

Mill finish on all surfaces.

MATERIALS

Frame and Cover and Hinge Link - Stainless Steel - ASTM A-276, Type 304 or 316 as specified. Assembly Hardware - Stainless Steel Type 18-8.

RECOMMENDED MAXIMUM SEATING HEADS:

- 8" to 30" size:** 30 feet of head
- 36" to 42" size:** 20 feet of head
- 48" to 60" size:** 15 feet of head
- 66" to 84" size:** 10 feet of head

Custom models with higher head ratings available, consult factory.



MPI – MCWANE PLANT & INDUSTRIAL

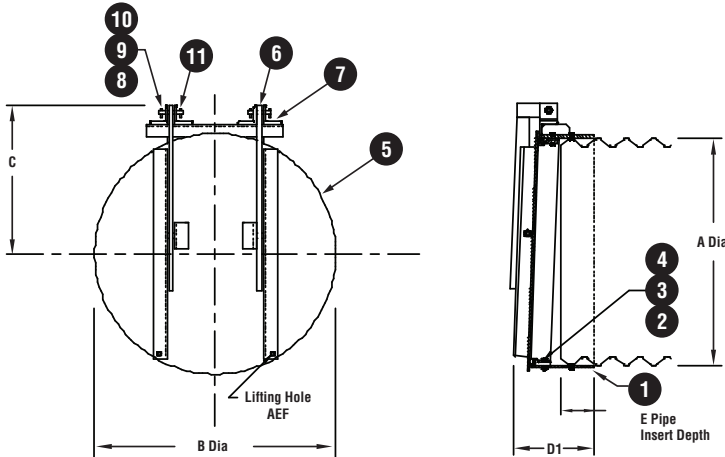
1201 Vanderbilt Road Birmingham, AL 35234 www.mcwanepi.com sales@mcwanepi.com

Kennedy Valve | Tyler Union | McWane Ductile | Waterman

SSF-41 ROUND DRAINAGE FLAP GATES

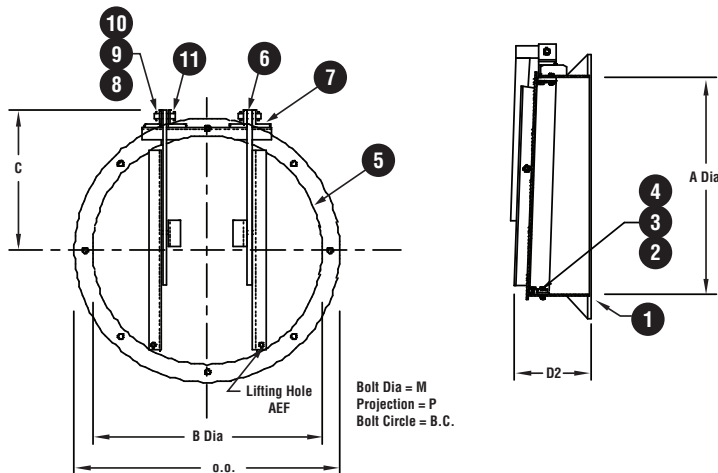
FABRICATED STAINLESS STEEL

SSF-41 STAINLESS STEEL DRAINAGE (FLAP) GATE - SPIGOTBACK RADIAL ARMS

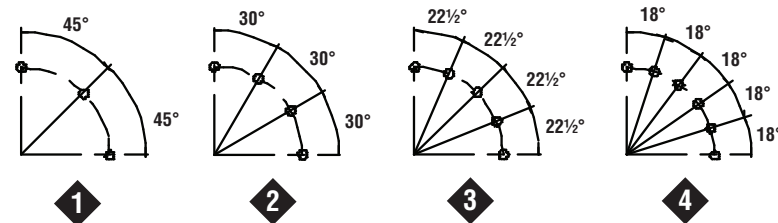


PARTS LIST	
Number	Name
1	Frame
2	Seat
3	Retainer Ring
4	Hex Hd. Bolt / Nut
5	Cover
6	Hinge Arm
7	Pivot Lug
8	Hex Hd. Bolt / Nut
9	Hinge Pin
10	Bushing
11	Washer
12	Spring Pin

SSF-41 DRAINAGE (FLAP) GATE FLATBACK (FLANGEBACK SIMILAR BUT WITH ASA STANDARD FLANGE DIMENSIONS)



1. Add grout pad thickness to anchor bolt projection.
2. Also available with flange and drilling to attach to a 125# standard pipe flange.
3. If grout pad mounting is used add grout thickness to dimension.



DIMENSIONS IN INCHES									
Gate Size	A	B	C	D2	E	O.D.	B.C.	M	P
8	9 ¹ / ₈	10 ¹ / ₂	8 ¹ / ₄	8 ³ / ₄	4	13 ¹ / ₂	11 ³ / ₄	¹ / ₂	2
10	11 ¹ / ₈	12 ¹ / ₂	9 ¹ / ₄	8 ⁷ / ₈	4	15 ¹ / ₂	13 ³ / ₄	¹ / ₂	2
14	15 ¹ / ₈	16 ¹ / ₂	10 ⁵ / ₁₆	8 ⁷ / ₈	4	19 ¹ / ₂	17 ³ / ₄	¹ / ₂	2
16	17 ¹ / ₄	18	12 ⁵ / ₁₆	8 ⁷ / ₈	4	21 ¹ / ₂	19 ³ / ₄	¹ / ₂	2
20	21 ¹ / ₈	22 ¹ / ₂	14 ¹ / ₄	9	4	26 ¹ / ₂	24 ³ / ₄	¹ / ₂	2
12	13 ¹ / ₈	13 ¹ / ₂	10 ¹ / ₄	8 ⁷ / ₈	4	17 ¹ / ₂	15 ³ / ₄	¹ / ₂	1
15	16 ¹ / ₈	17	12 ¹ / ₄	8 ⁷ / ₈	4	20 ¹ / ₂	18 ³ / ₄	¹ / ₂	1
18	19 ¹ / ₈	20	14 ¹ / ₄	8 ⁷ / ₈	4	23 ¹ / ₂	21 ³ / ₄	¹ / ₂	1
24	25 ¹ / ₈	26 ¹ / ₂	16	8 ⁷ / ₈	4	30 ⁵ / ₈	28 ¹ / ₄	¹ / ₂	1 ¹ / ₂
30	31 ¹ / ₈	32 ¹ / ₂	19	10 ⁵ / ₈	4 ¹ / ₂	36 ⁵ / ₈	34 ¹ / ₄	¹ / ₂	1 ¹ / ₂
36	37 ¹ / ₈	38 ¹ / ₂	24	10 ³ / ₈	4 ¹ / ₂	42 ⁵ / ₈	40 ¹ / ₄	¹ / ₂	1 ¹ / ₂
42	43 ¹ / ₈	46	28	13 ¹ / ₈	5 ¹ / ₂	48 ⁵ / ₈	46 ¹ / ₄	¹ / ₂	1 ¹ / ₂
48	49 ¹ / ₈	52	31	13 ³ / ₄	5 ¹ / ₂	54 ⁵ / ₈	52 ¹ / ₄	¹ / ₂	1 ¹ / ₂
54	55 ¹ / ₈	58	35	13 ³ / ₈	6 ¹ / ₂	60 ⁵ / ₈	58 ¹ / ₄	⁵ / ₈	2
60	61 ¹ / ₈	64	38	15 ³ / ₈	6 ¹ / ₂	66 ⁵ / ₈	64 ¹ / ₄	⁵ / ₈	2
72	73 ¹ / ₈	76	44 ¹ / ₂	17 ¹ / ₄	7 ¹ / ₄	78 ⁵ / ₈	76 ¹ / ₄	⁵ / ₈	2
84	Dimensions on Application								



MPI – MCWANE PLANT & INDUSTRIAL

1201 Vanderbilt Road Birmingham, AL 35234 www.mcwanepi.com sales@mcwanepi.com

Kennedy Valve | Tyler Union | McWane Ductile | Waterman