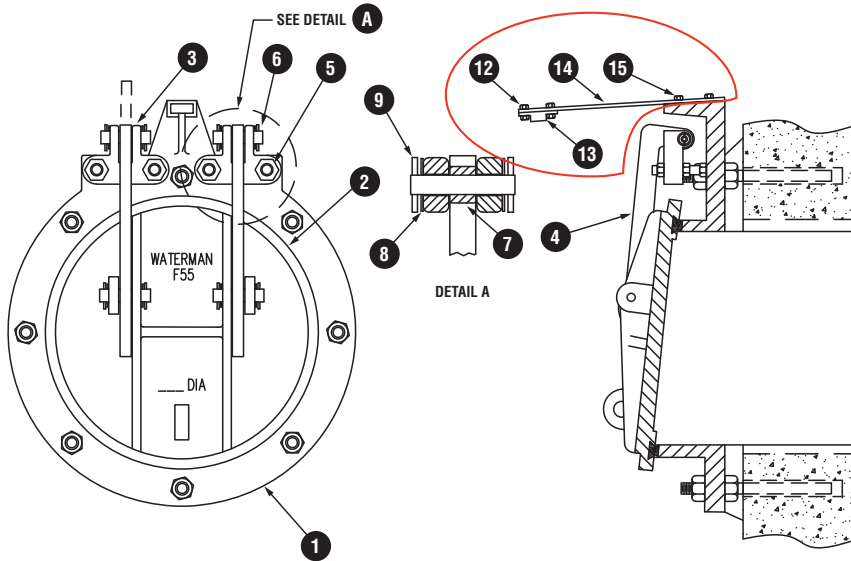


# F-55 FLAP GATE

SIZES 4" TO 108", HEAVIEST DUTY, RATED UP TO 55 FEET OF SEATING HEAD

## MATERIALS OF CONSTRUCTION



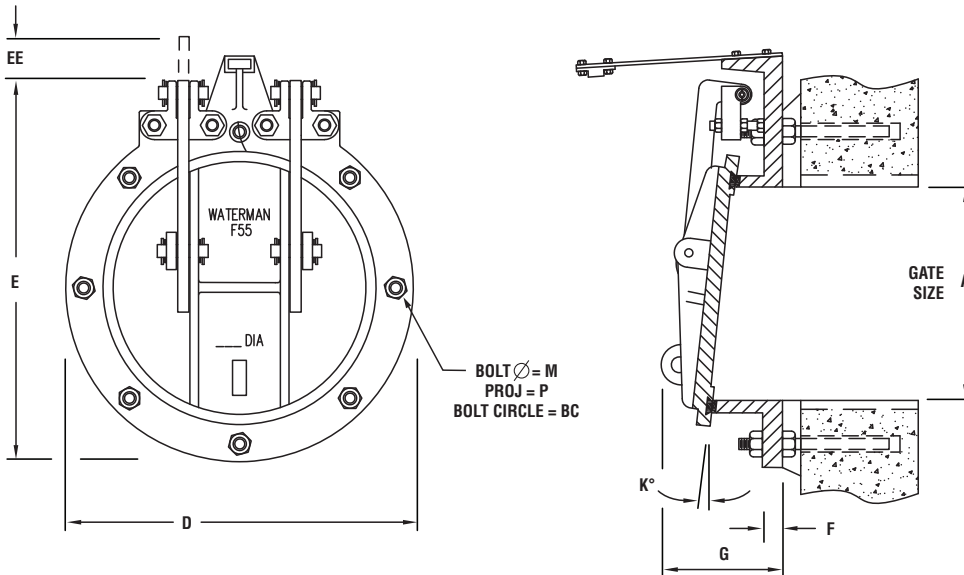
MATERIALS OF CONSTRUCTION		
Number	Name	Material
1	Frame	Cast Iron ASTM A-126, Class B
2	Cover	Cast Iron ASTM A-126, Class B
3	Pivot Lug	Ductile Iron per ASTM A-536, Gr. 65-45-12
4	Hinge Link	Structural Steel per ASTM A-36, galvanized per ASTM A-123
5	Hinge Studs and Nuts	Stainless Steel ASTM F-593
6	Hinge Pin	Stainless Steel ASTM F-593
7	Hinge Bushing	Commercial Bronze
8	Washers	Stainless Steel ASTM F-593
9	Spring Pin	Stainless Steel ASTM F-593
10	Set Screw	Stainless Steel ASTM F-593
11	Lube Fitting (optional, not shown)	
OPTIONAL ITEMS IF SPRING BUMPER IS SPECIFIED		
12	Bumper Bolt & Nut	Stainless Steel ASTM F-593
13	Bumper	Reinforced Rubber
14	Spring	
15	Spring Bolt	Stainless Steel ASTM F-593



# F-55 FLAP GATE

SIZES 4" TO 108", HEAVIEST DUTY, RATED UP TO 55 FEET OF SEATING HEAD

## GATE DIMENSIONS (MODELS 4" - 48")



**GATE DIMENSIONS IN INCHES**

Gate Size A	4	6	8	10	12	14	15	16	18	20	21	24	30	36	42	48
BC	7.5	9.5	11.75	14.25	17	18.75	20	21.25	22.75	25	25	29.5	36	42.75	49.50	56
D	9	11	13.5	16	19	21	22.5	23.5	25	27.5	27.5	32	38.25	46	53	59.75
E	9.75	12	14.5	16	19	22	25	24	28.5	28	30	35	40.5	46.5	54.75	66
EE	1.75	2	2.2	2.6	3	3.2	3.25	3	3.2	3.2	2.8	3	3.5	3.5	4.2	4.8
F	5/8	3/4	3/4	4/5	7/8	7/8	7/8	7/8	1	1	1	1	1 5/8	1 1/8	1.5	1.5
G	3 9/16	2.5	2.75	3	3.5	6	6.5	6.5	7	7	7.5	8	8	9	8.5	10
K	5	5	5	5	5	5	5	5	5	5	5	2.5	2.5	2.5	2.5	2.5
M	5/8	5/8	5/8	5/8	3/4	3/4	3/4	3/4	3/4	3/4	3/4	3/4	7/8	7/8	1	1
P	1.5	1.5	1.5	1.5	1.5	1.5	1.5	1.5	1.5	1.75	1.75	1.75	2.25	2.25	2.25	2 3/8
No. of Bolts	4	4	4	6	6	6	6	6	6	8	8	8	8	8	12	12



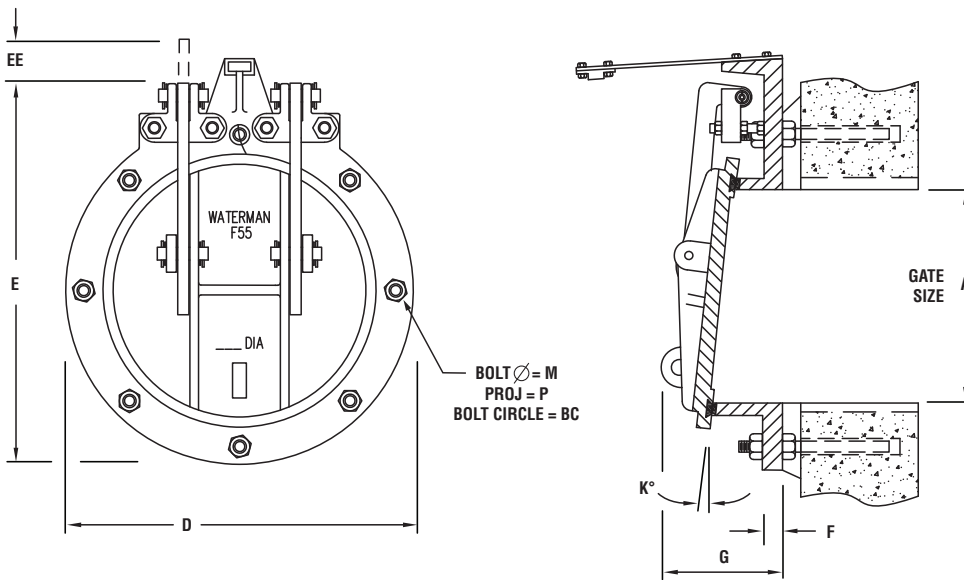
**MPI – MCWANE PLANT & INDUSTRIAL**

1201 Vanderbilt Road Birmingham, AL 35234 [www.mcwanepi.com](http://www.mcwanepi.com) [sales@mcwanepi.com](mailto:sales@mcwanepi.com)

# F-55 FLAP GATE

SIZES 4" TO 108", HEAVIEST DUTY, RATED UP TO 55 FEET OF SEATING HEAD

## GATE DIMENSIONS (MODELS 54" - 108")



### GATE DIMENSIONS IN INCHES

Gate Size A	54	60	66	72	84	96
BC	62.75	69.25	76	82.5	95.5	108.5
D	66.5	73	80	86.5	99.75	113.25
E	72	75	85.25	92.25	105.5	119
EE	6	6.25	7	10	10	10
F	1.75	1.75	2.25	2.25	2.25	2.25
G	10	10 7/16	14	14.5	17	21
K	2.5	2.5	2.5	2.5	2.5	2.5
M	1	1 1/8	1 1/8	1 1/8	1.25	1.25
P	2.75	3	3	3.5	4	4.5
No. of Bolts	12	12	12	16	16	16



**MPI – MCWANE PLANT & INDUSTRIAL**

1201 Vanderbilt Road Birmingham, AL 35234 [www.mcwanepi.com](http://www.mcwanepi.com) [sales@mcwanepi.com](mailto:sales@mcwanepi.com)